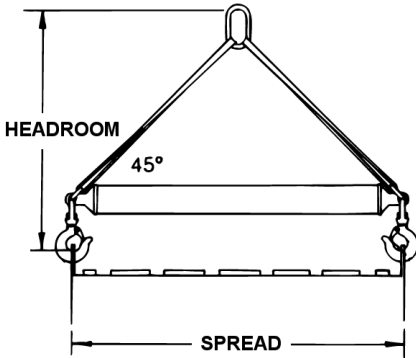
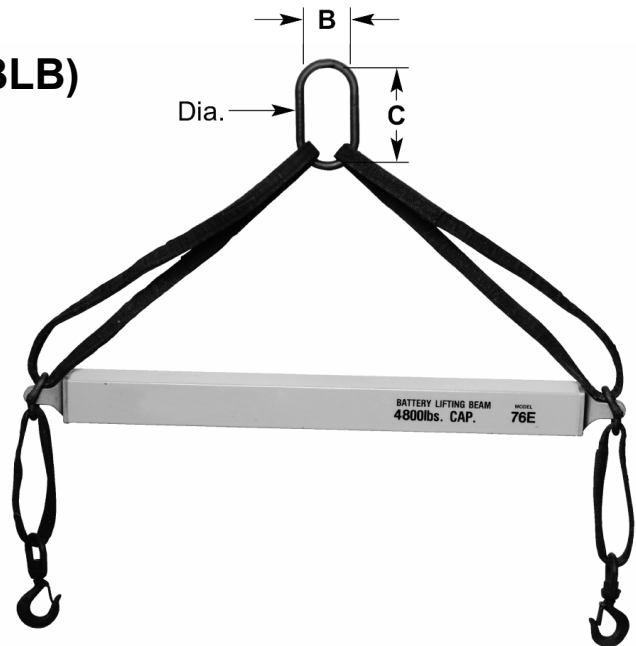


SPECIALTY BEAMS

Fiberglass Battery Lifting Beam (BLB)

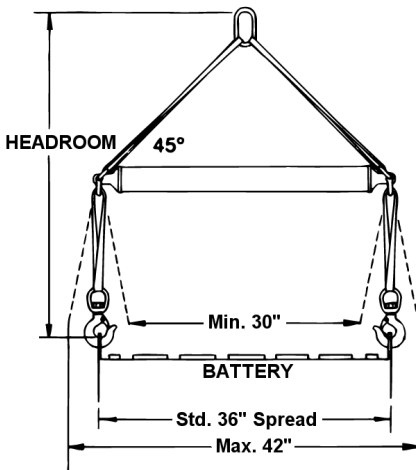
FEATURES

- Non-conductive for lifting industrial size fork lift or similar batteries
- Up to 70% lighter than other beams
- Available for single or multiple size batteries
- Heavy duty capacities of 4,800 lbs. and 7,000 lbs
- Acid resistant coated polyester straps and hooks
- 36" standard spread – custom lengths available
- Swivel hooks standard



Fixed Length (BLBF)

Rated Cap. (lbs.)	Part No.*	Oblong Size (in.) Dia. • B • C	Headroom (in.)	Wt. (lbs.)
4,800	BLB48F	.63 • 3 • 6	29	16
7,000	BLB70F	.75 • 2.75 • 5.5	30	20



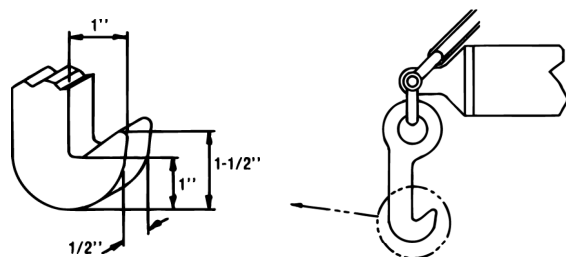
Adjustable (BLBA)

Rated Cap. (lbs.)	Part No.*	Oblong Size (in.) Dia. • B • C	Headroom (in.)	Wt. (lbs.)
4,800	BLB48A	.63 • 3 • 6	39	17
7,000	BLB70A	.75 • 2.75 • 5.5	40 1/2	20

Note: Maximum spread range is 12"

* Add a "J" to Part No. for Optional J Hooks

Optional J Hooks
Available in place of swivel hooks



SPECIALTY BEAMS

Battery Lifting Beam (BLBLHA) Low Headroom, Adjustable

FEATURES

- Low Headroom, 18.3"
- Adjustable to handle batteries of different lengths
- Non-conductive beam
- Acid-resistant, coated polyester straps with either swivel or J-hook



Rated Cap. (lbs.)	Part No.	Standard Spread (in.)	Wt. (lbs.)
7,000	BLBLHA	45	110

