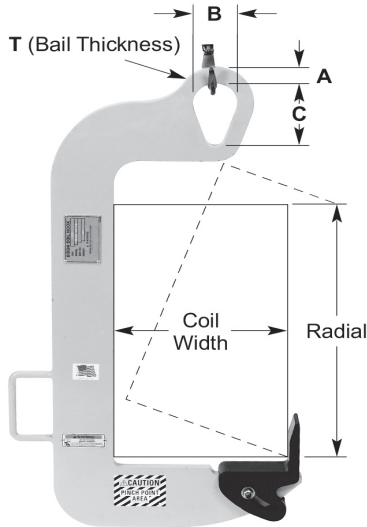


COIL LIFTERS

Dixon Coil Hook with Pivoting Wedge (DCH80)

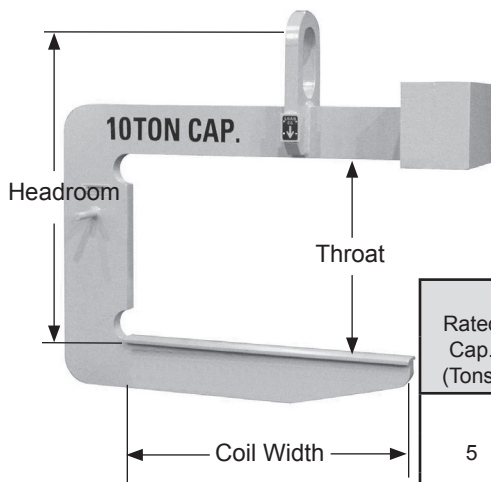


FEATURES

- For easy upending of coils from horizontal to vertical
- Pivoting wedge great for lifting coils that have been stacked
- Wedge also acts as a coil retainer
- Excels in use with small, lightweight coils
- Good for limited overhead clearance
- Standard handle for easier coil positioning

Rated Cap. (Tons)	Part No.	Max. Coil Width (In.)	Max. Radial (In.)	Min. ID (In.)	Bail Dimensions (In.)				Wt. (Lbs.)
					A	B	C	T	
1/2	DCH1x6	6	13	9	.81	2	3.3	.5	20
1/2	DCH1x12	12	13	13	.81	2	3.3	.5	28
1	DCH2x8	8	16	10	.81	2	3.3	.5	23
2	DCH4x10	10	18	12 1/2	1	2.6	4	.75	42
3 1/2	DCH7x12	12	20	14 1/2	1.81	3.6	5.3	1	80

Heavy Duty Coil Hook (HDCH82)



FEATURES

- Designed for heavy duty applications
- High tensile alloy steel plate reduces physical size and weight
- Counter balanced to hang level when empty
- Inside radius on hooks avoid coil edge contact
- Guide handles for ease of hook positioning
- Handles a wide range of coil widths
- Available with optional padding for additional coil protection

Rated Cap. (Tons)	Part No.	Coil Width (In.) Max/Min	Throat	HR Headroom	Bail Dimensions (In.)				Wt. (Lbs.)
					A	B	C	T	
5	HDCH10x36	36/24	24	37-3/8	1-1/2	4	7	1-1/4	420
	HDCH10x48	48/30	24	38	1-1/2	4	7	1-1/4	584
	HDCH10x60	60/36	24	38-1/2	1-1/2	4	7	1-1/4	680
7-1/2	HDCH15x36	36/24	24	37-1/2	1-1/2	4	7	1-1/2	615
	HDCH15x48	48/30	24	38-1/4	1-1/2	4	7	1-1/2	774
	HDCH15x60	60/36	24	39	1-1/2	4	7	1-1/2	942
10	HDCH20x48	48/30	24	41-1/4	2	5	9	1-3/4	928
	HDCH20x60	60/36	24	41-3/8	2	5	9	1-3/4	1295
	HDCH20x72	72/42	24	42-1/2	2	5	9	1-3/4	1616
15	HDCH30x48	48/30	30	47-7/8	2	5	9	1-3/4	1450
	HDCH30x60	60/36	30	48	2	5	9	1-3/4	1824
	HDCH30x72	72/42	30	48-3/4	2	5	9	1-3/4	2227
20	HDCH40x60	60/36	30	52-1/8	2-1/4	6	12	2	2175
	HDCH40x72	72/42	30	52-5/16	2-1/4	6	12	2	2625