

# FORK LIFT ACCESSORIES

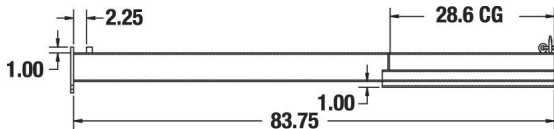
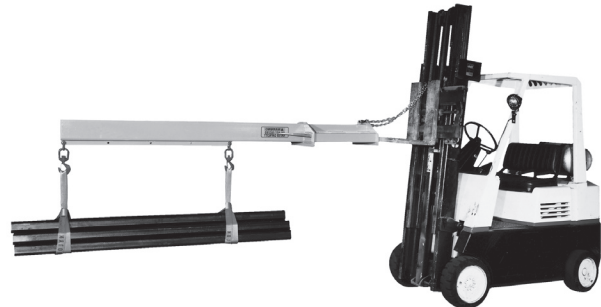
## Fixed Fork Lift Booms (FFLB)

### FEATURES

- Fixed length beam design
- Restraining chain with grab hook

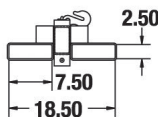
### FFLB-15 Single Pick Point

- Use with 1" or 2" wide web sling
- Optional swivel hook available

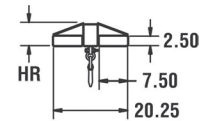
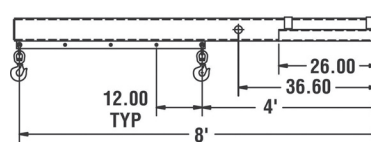


### FFLB-40 Multiple Pick Points

- 5 alternate hook positions at 1 foot intervals
- Fixed or swivel hooks available



### HARDWARE OPTION



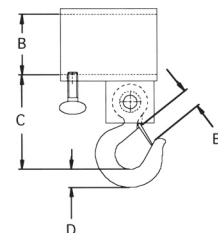
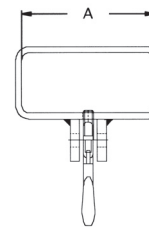
Part No.	Max. Cap. (Lbs.)	Headroom (In.)	Maximum Capacity at Hook Position (Lbs.)					Wt. (Lbs.)
			4'	5'	6'	7'	8'	
FFLB-15	1500	7	-	-	-	-	1,500	185
FFLB-40	4000	6.3	4,000	3,500	3,000	2,500	2,000	200

## Single Fork Hook (SFH)



### FEATURES

- Easy attachment - no tools required
- Welded construction for durability
- Promotes versatility of fork lift trucks
- 3,000 lb. rated capacity



Fixed Hook Part No.	Swivel Hook Part No.	Dimensions (In.)						Wt. (Lbs.)
		A	B	C (Fixed)	C (Swivel)	D	E	
SFHF4	SFHS4	4 1/2	2 1/2	4 11/16	6 9/16	1	1	7
SFHF5	SFHS5	5 1/2	2 1/2	4 11/16	6 9/16	1	1	8
SFHF6	SFHS6	6 1/2	2 1/2	4 11/16	6 9/16	1	1	9

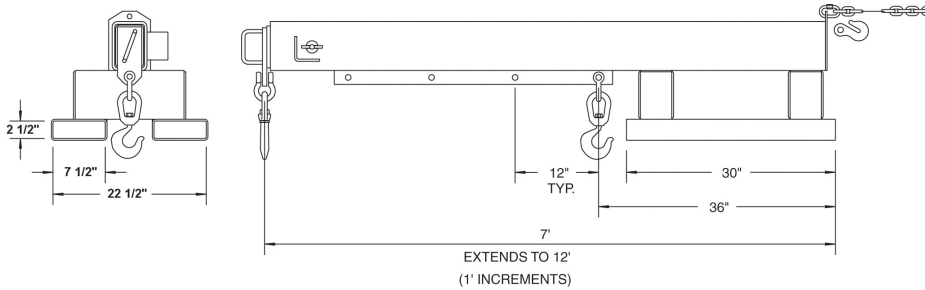
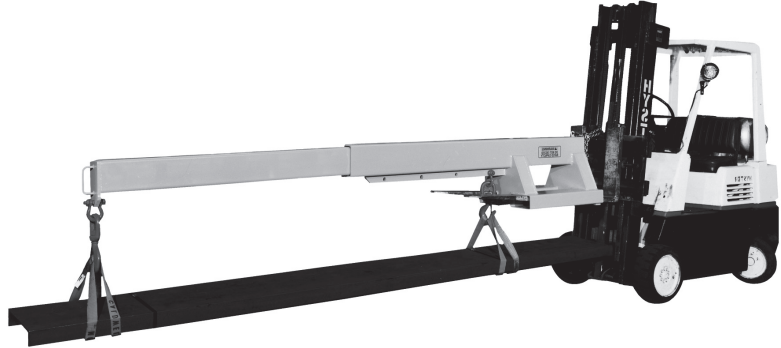
Note: Fixed hook shown, swivel hook also available.

# FORK LIFT ACCESSORIES

## Telescoping Fork Lift Booms (TFLB)

### FEATURES

- Telescoping boom for versatility
- T-Pin locks boom into position
- Handle on end for easy extension of boom
- Swivel hooks with latch are standard
- Restraining chain with grab hook standard
- 12 ft. maximum horizontal reach

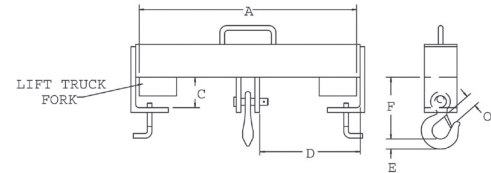


Part No.	Maximum Capacity at Hook Position (Lbs.)							Wt. (Lbs.)
	3'-6'	7'	8'	9'	10'	11'	12'	
TFLB30	3,000	3,000	2,600	2,200	1,900	1,600	1,500	340
TFLB40	4,000	3,200	2,600	2,200	1,900	1,600	1,500	340
TFLB60	6,000	5,000	4,200	3,500	3,000	2,700	2,500	390
TFLB80	8,000	7,000	5,700	4,800	4,100	3,600	3,100	520

## Double Fork Beams (DFB)

### FEATURES

- Easy attachment - no tools required
- Welded construction for durability
- Promotes versatility of fork lift trucks



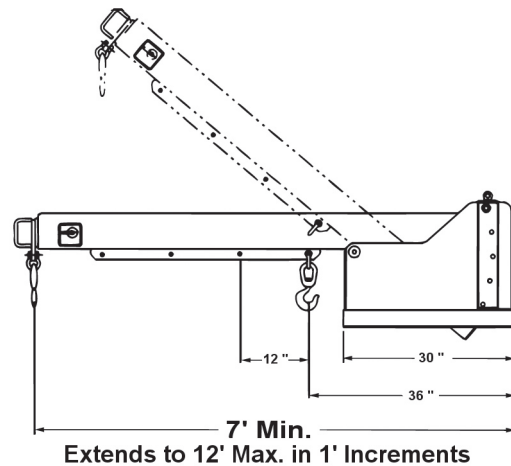
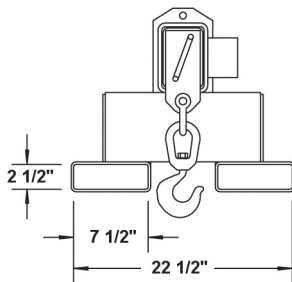
Fixed Hook Part No.	Swivel Hook Part No.	Rated Capacity (Lbs.)	Dimensions (In.)								Wt. (Lbs.)
			A	B	C	D	F (Fixed)	F (Swivel)	E	O	
DFBF4	DFBS4	4,000	20	3/8	3	9 1/8	7 5/8	9 3/8	1 7/16	1 11/32	20
DFBF10	DFBS10	10,000	24	3/8	3 1/8	10 3/4	10 3/8	12 5/8	1 13/16	1 11/16	45

# FORK LIFT ACCESSORIES

## Pivoting Fork Lift Booms (PFLB)

### FEATURES

- Vertical adjustability in 5 increments up to 40°, 6' 4" maximum height
- Telescoping boom for versatility
- T-Pin locks boom into position
- Handle on end for easy extension of boom
- Swivel hooks with latch are standard
- Restraining chain with grab hook standard reach



Part No.	Maximum Capacity at Hook Position (Lbs.)							Wt. (Lbs.)
	3'-6"	7'	8'	9'	10'	11'	12'	
PFLB30	3,000	3,000	2,600	2,200	1,900	1,600	1,500	350
PFLB40	4,000	3,200	2,600	2,200	1,900	1,600	1,500	350
PFLB60	6,000	5,000	4,200	3,500	3,000	2,700	2,500	420
PFLB80	8,000	7,000	5,700	4,800	4,100	3,600	3,100	540