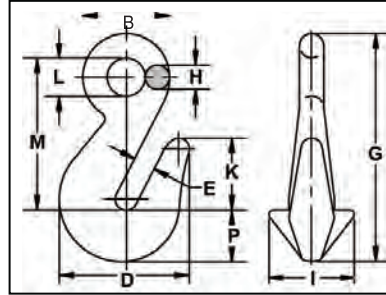


CHAIN SLING HARDWARE

Eye Cradle Grab Hook – Code G

- For use with both G80 & G100 chain.
- Unique cradle grab design.
- Quenched and tempered alloy steel.
- 100% proof-tested.
- Fatigue rated.
- Durable powder-coated finish.
- Design factor 4:1.

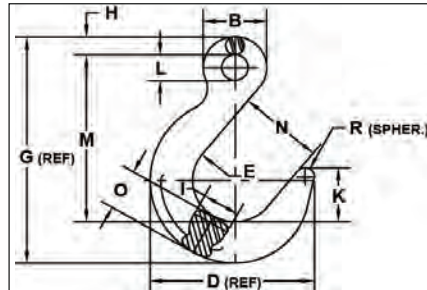


Grade	Chain Size (in.)	1Rated Cap.* (lbs.)	Part Number	Dimensions (inches)										Weight Each (lbs.)
				B	D	E	G	H	I	K	L	M	P	
100	7/32	2,700	732DECGH	1.20	1.68	.33	3.22	.33	.92	.99	.55	2.20	.69	0.35
100	9/32	4,300	932DECGH	1.40	1.93	.39	3.72	.39	1.07	1.07	.63	2.58	.76	0.55
100	3/8	8,800	38DECGH	1.78	2.86	.52	.481	.52	1.38	1.38	.75	3.27	1.02	1.39
100	1/2	15,000	12DECGH	2.28	3.69	.63	6.36	.63	1.81	1.81	1.06	4.23	1.53	3.05
100	5/8	22,600	58DECGH	2.75	4.53	.75	7.62	.75	2.13	2.13	1.25	5.06	1.80	4.36
100	3/4	35,300	34DECGH	3.50	5.23	.91	9.54	1.00	2.88	2.88	1.52	6.70	1.85	9.0
80	7/8	34,200	78G8ECGH	3.75	5.69	1.00	9.63	1.00	3.00	3.75	1.75	6.50	2.12	10.4
80	1	47,700	1G8ECGH	4.31	7.00	1.19	12.44	1.22	3.88	4.31	1.88	8.09	3.12	20.9
80	1-1/4	72,300	114G8CGH~	5.38	8.50	1.50	15.56	1.56	2.50	5.50	2.25	10.5	3.50	40

*Note: 1-1/4" is a Non-Cradle type. Also, Non-Cradle Grab Hooks are also available for other sizes upon request.

Foundry Hook – Code F

- For use with both G80 & G100 chain.
- Throat opening to 6 inches.
- Quenched and tempered alloy steel.
- 100% proof-tested.
- Fatigue rated.
- Durable powder-coated finish.
- Design factor 4:1.



Grade	Chain Size (in.)	1Rated Cap.* (lbs.)	Part Number	Dimensions (inches)												Weight Each (lbs.)
				B	D	E	G	H	I	K	L	M	N	O	R	
100	9/32	4,300	932DEFH	1.56	4.73	2.50	6.45	.47	1.00	1.56	.63	4.75	2.50	1.23	.25	2.4
100	3/8	8,800	38DEFH	2.00	5.72	3.00	7.88	.63	1.27	1.88	.80	5.77	3.00	1.50	.31	4.5
100	1/2	15,000	12DEFH	2.50	6.74	3.50	9.38	.75	1.50	2.22	1.00	6.88	3.50	1.75	.38	7.1
100	5/8	22,600	58DEFH	3.00	7.79	4.00	10.97	.88	1.81	2.63	1.13	8.06	4.00	2.03	.44	11.6
100	3/4	35,300	34DEFH	3.50	9.07	4.50	12.81	1.00	2.20	3.00	1.50	9.25	4.50	2.56	.50	20
80	7/8	34,200	78G8EFH	4.00	10.09	5.00	14.23	1.13	2.25	3.38	1.70	10.38	5.00	2.78	.56	26
80	1	47,700	1G8EFH	4.50	11.55	5.50	16.17	1.29	2.63	3.75	2.13	11.56	5.50	3.45	.62	36.8
80	1-1/4	72,300	114G8EFH	5.13	12.87	6.00	18.03	1.38	3.17	4.25	2.33	12.88	6.00	3.81	.75	58.4

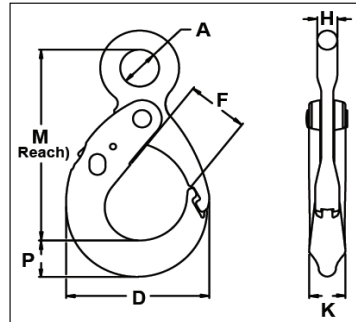
*Rated Capacity also referred to as "Working Load Limit"

* **WARNING** Do not exceed rated capacities. Sling capacity decreases as the angle from horizontal decreases. Do not use slings at angles of less than 30°. Refer to the Effect of Angle chart found in the HELP section of this catalog.

CHAIN SLING HARDWARE

Latchlok Eye Hooks – Code L

- Large eye design for use with G80 and G100 chain, wire rope and synthetic material.
- 100% proof-tested.
- Positive locking hook.
- Meets ASTM A952 standards.
- Durable powder-coated finish.
- Design factor 4:1.

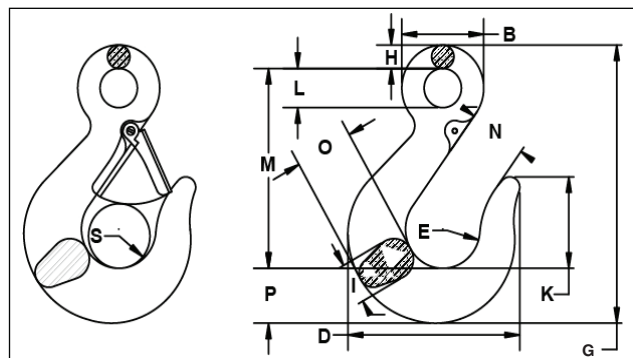


Chain Size (in.)	¹Rated Capacity* (lbs.)	Part Number	Dimensions (inches)							Weight Each (lbs.)
			A	D	F	H	K	M	P	
9/32	4,300	932G10ELLH	1.09	3.77	1.64	0.47	0.91	5.37	0.88	2.50
3/8	8,800	38G10ELLH	1.36	4.74	2.27	0.59	1.15	6.65	1.07	4.74
1/2	15,000	12G10ELLH	1.57	6.26	2.91	0.80	1.47	8.79	1.58	10.00
5/8	22,600	58G10ELLH	2.0	7.37	3.22	1.03	1.85	10.37	1.97	16.00

Note: For welded 7/32" chain sling use 9/32" eye latchlok hook.

Chain Sling Eye Hook – Code S

- For use with both G80 and G100 chain.
- Quenched and tempered alloy steel.
- Fatigue rated.
- 100% proof-tested.
- Durable powder-coated finish
- Design factor 4:1.
- Shown with optional latches.



Grade	Chain Size (in.)	¹Rated Cap.* (lbs.)	Part Number	Dimensions (inches)													Weight Each (lbs.)
				B	D	E	G	H	I	K	L	M	N	O	P	S	
100	7/32	2,700	732DESH	1.50	3.04	1.30	5.06	0.38	0.66	1.47	0.75	3.75	0.97	0.99	0.94	0.99	0.80
100	9/32	4,300	932DESH	1.65	3.48	1.50	5.25	0.45	0.75	1.75	0.72	3.75	1.19	1.21	1.05	1.10	1.10
100	3/8	8,800	38DESH	2.06	4.33	1.88	6.66	0.58	0.97	2.19	0.91	4.77	1.44	1.46	1.31	1.29	1.90
100	1/2	15,000	12DESH	2.63	5.50	2.25	8.16	0.77	1.10	2.56	1.09	5.67	1.78	1.91	1.68	1.63	4.50
100	5/8	22,600	58DESH	3.06	6.23	2.63	9.63	0.89	1.46	2.62	1.31	6.50	2.03	2.20	2.23	1.69	7.30
100	3/4	35,300	34DESH	3.50	7.82	3.00	11.38	1.00	1.69	3.47	1.50	7.81	2.50	2.82	2.58	2.31	11.40
80	7/8	34,200	78G8ESH	3.88	8.59	3.38	12.72	1.09	1.94	3.88	1.69	8.75	2.78	3.22	2.84	2.38	18.10
80	1	47,700	1G8ESH	4.31	9.59	4.00	14.23	1.22	2.14	4.25	1.88	9.88	3.13	3.55	3.09	2.88	22.60
80	1-1/4	72,300	114G8ESH	5.31	11.56	4.66	17.00	1.50	2.62	4.64	2.31	11.50	3.88	4.25	3.89	3.41	47.00

Note: Latches are *not* included on domestic hooks. If latches are required, you must specify latches when ordering.

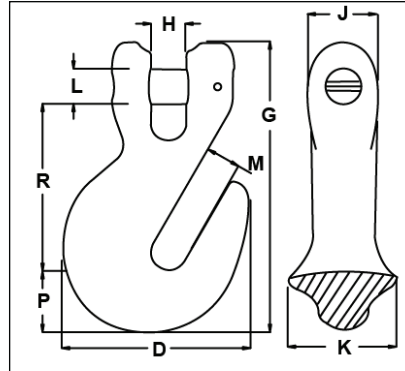
¹Rated Capacity also referred to as "Working Load Limit".

* **WARNING** Do not exceed rated capacities. Sling capacity decreases as the angle from horizontal decreases. Do not use slings at angles of less than 30°. Refer to the Effect of Angle chart found in the HELP section of this catalog.

CHAIN SLING HARDWARE

Clevis Cradle Grab Hook – Code G

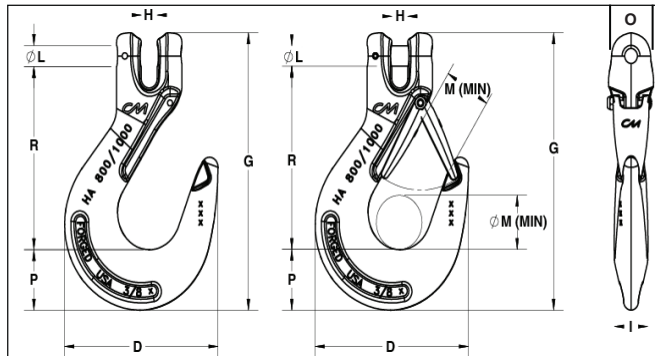
- For use with both G80 and G100 chain.
- Unique cradle grab design.
- 100% proof-tested.
- Quenched and tempered alloy steel.
- Fatigue rated.
- Durable powder-coated finish.
- Replacement pin available.
- Design factor 4:1.



Chain Size (in.)	1Rated Capacity* (lbs.)	Part Number	Dimensions (in.)									Weight Each (lbs.)
			D	G	H	J	K	L	M	P	R	
9/32	4,300	932DCGH	2.18	3.39	0.38	0.82	0.97	0.36	0.38	0.82	1.86	0.63
3/8	8,800	38DCGH	2.72	4.33	0.47	1.18	1.29	0.51	0.74	1.03	2.47	1.30
1/2	15,000	12DCGH	3.65	5.27	0.65	1.39	2.01	0.63	0.60	1.19	3.04	2.10
5/8	22,000	58DCGH	4.50	6.54	0.77	1.55	2.42	0.75	0.77	1.41	3.76	4.20
3/4	35,300	34DCGH	5.40	8.80	0.88	2.05	2.69	0.88	0.91	1.89	5.30	10.50

Clevis Sling Hook – Code S

- For use with both G80 and G100 chain.
- Unique cradle grab design.
- 100% proof-tested.
- Quenched and tempered alloy steel.
- Fatigue rated.
- Durable powder-coated finish.
- Replacement pin available.
- Design factor 4:1.



Shown with optional latch

Chain Size (in.)	1Rated Capacity* (lbs.)	Part Number	Dimensions (in.)									Weight Each (lbs.)
			D	G	H	I	L	M	O	P	R	
9/32	4,300	932DCSH	3.53	5.55	0.38	0.75	0.36	0.83	1.32	1.11	3.75	1.20
3/8	8,800	38DCSH	4.54	6.93	0.47	1.00	0.51	1.06	1.34	1.51	4.58	2.21
1/2	15,000	12DCSH	5.48	8.28	0.58	1.33	0.63	1.38	1.87	1.55	5.59	4.22
5/8	22,600	58DCSH	6.20	9.61	0.71	1.47	0.75	1.69	2.11	1.83	6.44	6.64
3/4	35,300	34DCSH	7.63	11.79	1.88	1.88	0.94	2.09	2.55	2.51	7.74	11.22

* Latches are not included. If latches are required, you must specify when ordering.

1Rated Capacity also referred to as "Working Load Limit"

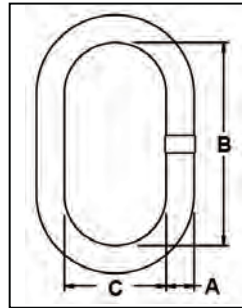
*** WARNING**

Do not exceed rated capacities. Sling capacity decreases as the angle from horizontal decreases. Do not use slings at angles of less than 30°. Refer to the Effect of Angle chart found in the HELP section of this catalog.

CHAIN SLING HARDWARE

Oblong Master Link – Code O

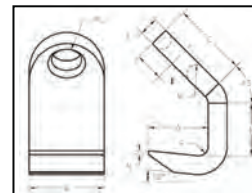
- For use with both G80 and G100 chain, web bridle and *Tuflex* bridle slings.
- 100% proof-tested.
- May be used for mechanical and welded sling assemblies.
- Durable powder-coated finish.
- Design factor 4:1.



Master Link Size* (in.)			Part Number	Standard Oblong for Size and Configuration of Chain Sling				Weight Each (lbs.)
Diameter Material A	Inside Length B	Inside Width C		Single	Double	Triple	Quad	
13/32	3.00	1.50	1332DOL	7/32	7/32	–	–	0.3
1/2	5.00	2.50	12DOL	9/32	9/32	7/32	7/32	0.9
3/4	6.00	3.00	34DOL	3/8	3/8	9/32	9/32	2.5
1	8.00	4.00	1DOL	1/2 or 5/8	1/2	3/8	3/8	5.8
1-1/4	8.75	4.38	114DOL	3/4	5/8	1/2	1/2	9.2
1-1/2	10.50	5.25	112DOL	7/8	3/4	5/8	5/8	16
1-3/4	12.00	6.00	134DOL	1	7/8	3/4	3/4	25
2	14.00	7.00	2G8OL	1-1/4	1	7/8	7/8	37
2-1/4	16.00	8.00	214G8OL	–	1-1/4	1	1	54
2-3/4	16.00	9.00	234G8OL	–	–	1-1/4	1-1/4	85

Plate Hooks – G80

- Made with alloy steel.
- May be used for mechanical and welded sling assemblies.
- Design factor 4:1.
- Ratings are per hook.
- Do not use at angle other than 60° from horizontal.



Chain Size (in.)	Rated Capacity* (lbs.)**	Part Number	Dimensions (inches)									Weight Each (lbs.)
			A	B	C	D	L	N	R	T	W	
9/32	4,200	932G8PH	2.00	1.75	2.50	0.93	1.00	0.12	0.31	0.63	2.50	2.80
3/8	7,400	38G8PH	2.63	3.00	4.31	1.18	1.12	0.18	0.38	0.75	2.75	5.70
1/2	13,000	12G8PH	3.50	4.00	4.38	1.50	1.50	0.25	0.50	1.00	3.50	13.0
5/8	20,400	58G8PH	4.38	5.00	4.43	1.87	1.88	0.31	0.63	1.25	5.00	26.5
3/4	30,000	34G8PH	5.19	6.00	6.50	2.38	2.25	0.38	0.75	1.50	5.75	42.0
7/8	40,000	78G8PH	6.00	7.00	7.63	2.50	2.63	0.473	1.00	1.75	6.00	65.0

*Never use plate hooks on a quad sling. ++Do not attempt to lift using only one plate hook.

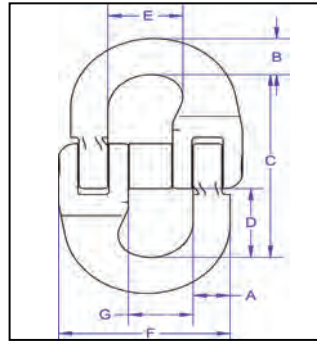
¹Rated Capacity also referred to as "Working Load Limit"

* **WARNING** Do not exceed rated capacities. Sling capacity decreases as the angle from horizontal decreases. Do not use slings at angles of less than 30°. Refer to the Effect of Angle chart found in the HELP section of this catalog.

CHAIN SLING HARDWARE

Mechanical Coupling Links

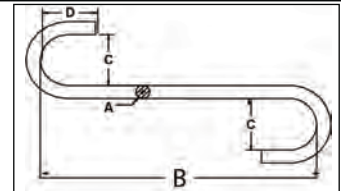
- Used for overhead lifting slings to connect chain branches to the master link and the hook to attachments.
- Constructed of drop-forged alloy steel.
- Can be used with G80 and G100 chain.
- Must be matched to chain size.
- Do not use for chain repair or splicing.
- Meets ASTM A952 standards.
- Design factor 4:1.



Grade	Chain Size (in.)	¹ Rated Capacity* (lbs.)	Part Number	Dimensions (in.)							Weight Each (lbs.)
				A	B	C	D	E	F	G	
100	7/32	2,700	732G10H	0.29	0.28	1.85	0.69	0.61	1.44	0.52	0.27
100	9/32	4,300	932G10H	0.37	0.44	1.94	0.69	0.68	1.58	0.61	0.28
100	3/8	8,800	38G10H	0.52	0.50	3.02	1.15	1.05	2.33	0.81	0.84
100	1/2	15,000	12G10H	0.64	0.68	3.79	1.43	1.29	2.98	1.10	1.87
100	5/8	22,600	58G10H	0.81	0.91	4.50	1.70	1.54	3.57	1.32	3.13
100	3/4	35,200	34G10H	0.97	1.07	5.36	2.06	1.78	4.69	1.52	5.75
80	7/8	34,200	78G8H	1.16	1.05	5.25	1.97	2.09	4.95	1.88	5.98
80	1	47,700	1G8H	1.32	1.25	6.00	2.31	2.37	5.87	2.33	9.47
80	1-1/4	72,300	114G8H	1.57	1.53	6.81	2.17	2.98	7.04	2.67	16.61

S-Hooks – G80

- Made from alloy material.
- 100% proof-tested.
- Durable powder-coated finish.
- Working Load Limit is embossed on hooks.
- Design factor 4:1.



Stock Dia. (in.)	¹ Rated Capacity* (lbs.)	Part Number	Dimensions (in.)				Weight Each (lbs.)
			A	B	C	D	
9/32	210	932G8SH	0.28	4.50	1.13	1.13	0.15
3/8	410	38G8SH	0.38	6.00	1.50	1.50	0.35
1/2	870	12G8SH	0.56	7.50	2.00	2.00	1.04
5/8	1,120	58G8SH	0.63	9.00	2.50	2.50	1.56
3/4	1,730	34G8SH	0.75	10.50	3.00	3.00	2.60
7/8	2,370	78G8SH	0.88	12.00	3.50	3.50	4.20
1	2,920	1G8SH	1.00	13.00	4.00	4.00	6.00
1-5/32	3,150	1532G8SH	1.13	15.00	4.50	4.50	9.30
1-1/4	4,450	114G8SH	1.25	16.00	5.00	5.00	11.70
1-3/8	6,100	138G8SH	1.38	17.00	5.50	5.50	15.40
1-1/2	6,250	112G8SH	1.50	18.00	6.00	6.00	19.50



¹Rated Capacity also referred to as "Working Load Limit"

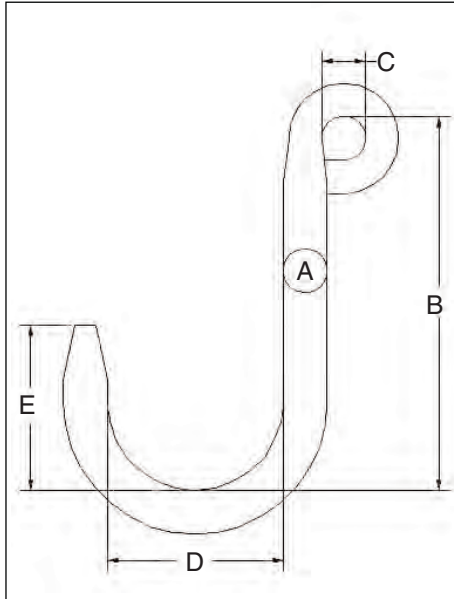
*** ⚠ WARNING**

Do not exceed rated capacities. Sling capacity decreases as the angle from horizontal decreases. Do not use slings at angles of less than 30°. Refer to the Effect of Angle chart found in the HELP section of this catalog.

FOUNDRY SORTING HOOKS & J-HOOKS

Welded alloy steel hooks are heat-treated with a shot blast finish, proof-tested and certified.

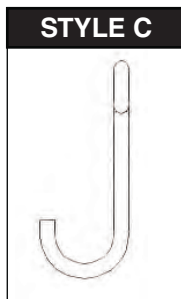
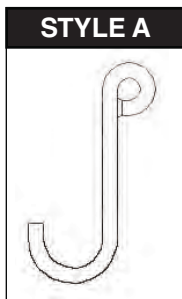
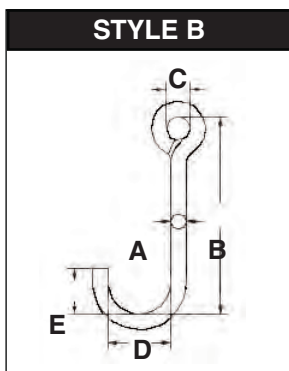
Foundry Sorting Hooks



Standard Foundry Sorting Hooks							
Part Number	A	B	C	D	E	Chain Size Eye Fits Mechanical Coupler	¹ Rated Capacity*
FSA050	0.50	6.00	0.75	2.50	2.00	0.28	500
FSA063	0.63	8.50	0.75	3.50	3.25	0.28	800
FSA075	0.75	8.50	0.75	3.50	3.25	0.28	1300
FSA088	0.81	8.50	0.88	3.50	3.25	0.38	1600
FSA100	1.00	8.50	1.00	4.00	3.75	0.38	2500
FSA113	1.13	8.50	1.00	4.00	4.00	0.38	3500
FSA125	1.25	8.50	1.25	4.00	4.00	0.50	4500
FSA150	1.50	8.50	1.25	5.00	4.00	0.50	6000

Short Foundry Sorting Hooks							
Part Number	A	B	C	D	E	Chain Size Eye Fits Mechanical Coupler	¹ Rated Capacity* (lbs.)
FSA050S	0.50	6.00	0.75	3.00	3.00	0.28	450
FSA063S	0.63	6.00	0.75	3.00	3.00	0.28	900
FSA075S	0.75	6.00	0.75	3.00	3.00	0.28	1400
FSA088S	0.88	6.00	0.88	3.00	3.00	0.38	2000
FSA100S	1.00	6.00	1.00	3.00	3.00	0.38	3000
FSA113S	1.13	6.00	1.00	3.00	3.00	0.38	4000
FSA125S	1.25	6.00	1.25	3.00	3.00	0.50	5500

Standard J-Hooks



Flat Tip J-Hooks								
Part Number	Part Number	Part Number	A	B	C	D	E	¹ Rated Capacity* (lbs.)
JAA038	JBA038	JCA038	0.38	6.00	0.75	1.50	1.13	350
JAA050	JBA050	JCA050	0.50	8.00	0.75	2.00	1.50	650
JAA063	JBA063	JCA063	0.63	9.00	1.00	2.50	1.88	850
JAA075	JBA075	JCA075	0.75	10.00	1.00	3.00	2.25	1200
JAA088	JBA088	JCA088	0.88	12.00	1.00	3.50	2.63	1500
JAA100	JBA100	JCA100	1.00	14.00	1.25	4.00	3.00	2000
JAA113	JBA113	JCA113	1.13	15.00	1.25	4.50	3.37	2250
JAA125	JBA125	JCA125	1.25	16.00	1.50	5.00	3.75	2750
JAA138	JBA138	JCA138	1.38	17.00	1.50	5.50	4.13	3000
JAA150	JBA150	JCA150	1.50	18.00	2.00	6.00	4.50	3500
JAA175	JBA175	JCA175	1.75	20.00	2.580	7.00	5.25	4000
JAA200	JBA200	JCA200	2.00	24.00	3.00	8.00	6.00	5000

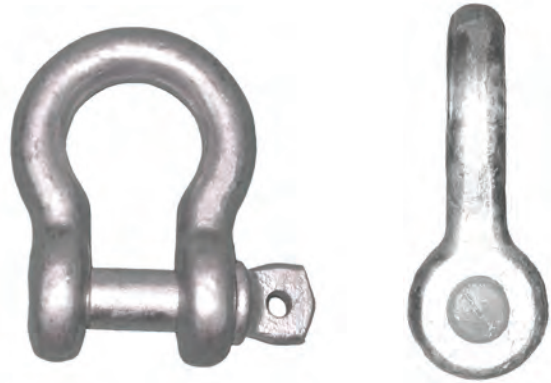
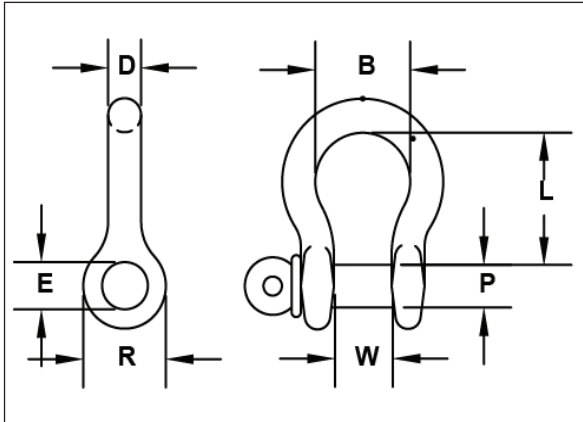
* Rated Capacity based on bearing to bearing pull.

Tip load capacity averages 30% of bearing to bearing rating.

¹ Rated Capacity also referred to as "Working Load Limit".

WIRE ROPE SLING HARDWARE

Screw Pin Anchor Shackles



Shackle Size D (in.)	¹Rated Capacity* (tons)		Dimensions (inches)						Weight Each (lbs.)
	CM	Others	P	E	W	R	L	B (min.)	
3/16	1/2	1/3	0.25	0.29	0.38	0.57	0.88	0.58	0.06
1/4	3/4	1/2	0.31	0.36	0.47	0.75	1.13	0.75	0.12
5/16	1	3/4	0.38	0.45	0.53	0.84	1.25	0.81	0.20
3/8	1-1/2	1	0.44	0.52	0.66	1.00	1.40	1.00	0.30
7/16	2	1-1/2	0.50	0.58	0.72	1.15	1.69	1.19	0.50
1/2	3	2	0.63	0.70	0.84	1.34	1.94	1.38	0.75
5/8	4-1/2	3-1/4	0.75	0.83	1.06	1.66	2.41	1.63	1.30
3/4	6-1/2	4-3/4	0.88	0.95	1.28	1.94	2.84	1.89	2.30
7/8	8-1/2	6-1/2	1.00	1.09	1.44	2.14	3.31	2.06	3.50
1	10	8-1/2	1.13	1.22	1.72	2.44	3.75	2.52	5.00
1-1/8	12	9-1/2	1.25	1.36	1.84	2.66	4.02	2.69	7.00
1-1/4	14	12	1.38	1.52	2.03	3.15	4.63	2.88	9.50
1-3/8	17	13-1/2	1.50	1.65	2.25	3.25	5.19	3.25	12.50
1-1/2	20	17	1.63	1.77	2.41	3.50	5.63	3.50	17.20
1-5/8	24	20	1.75	1.88	2.66	3.91	6.13	4.13	23.50
1-3/4	30	25	2.00	2.13	2.94	4.06	6.97	4.75	27.70
2	35	35	2.25	2.38	3.28	4.51	7.44	5.50	39.00

Note: Standard capacities and dimensions shown, but may vary depending on source of supply. Specify required capacity if critical.

¹Rated Capacity also referred to as "Working Load Limit"

- Carbon Shackle, Alloy Pin.
- Heat treated and tempered.
- Hot dip galvanized.
- Specification: RR-C-271F.
- Type 4A, Grade A, Class 2.
- Design Factor 5:1.

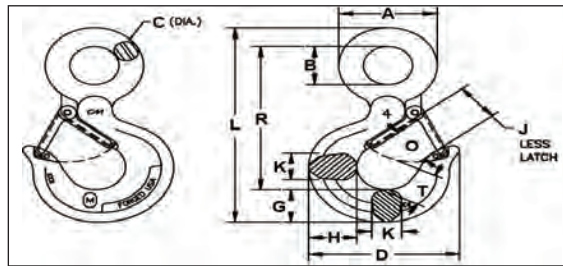
*** WARNING**

Do not exceed rated capacities. Sling capacity decreases as the angle from horizontal decreases. Do not use slings at angles of less than 30°. Refer to the Effect of Angle chart found in the HELP section of this catalog.

WIRE ROPE SLING HARDWARE

Rigging Eye Hooks

- Drop forged alloy steel.
- Load rating marked on each hook body.
- Pre-drilled latch tab allows addition of heavy-duty latch.
- Design factor 5:1.



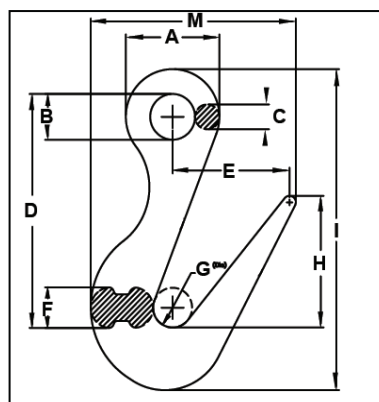
	1Rated Capacity* (tons)	Part Number	Dimension (in.)											Weight Each (lbs.)	
			A	B	C	D	G	H	J	K	L	O	R		T
Alloy	1	1AEH	1.50	0.75	0.38	3.12	0.87	1.01	0.93	0.63	4.37	0.93	3.13	0.87	0.66
	1-1/2	112AEH	1.75	0.88	0.44	3.37	0.94	1.11	0.97	0.71	5.04	0.97	3.66	0.97	1.12
	2	2AEH	2.13	1.10	0.50	3.80	1.06	1.21	1.02	0.74	5.65	1.02	4.09	1.03	1.46
	3	3AEH	2.50	1.25	0.64	4.20	1.26	1.43	1.19	0.94	6.55	1.16	4.67	1.16	2.42
	5	5AEH	3.08	1.56	0.77	5.11	1.44	1.63	1.50	1.38	7.97	1.41	5.78	1.53	4.10
	7	7AEH	3.88	1.98	0.94	6.24	1.82	2.01	1.78	1.68	10.07	1.69	7.31	1.94	8.16
	11	11AEH	4.69	2.44	1.13	7.89	2.25	2.63	2.38	1.88	12.41	2.19	9.03	2.52	15.60
	15	15AEH	5.34	2.84	1.25	8.53	2.75	3.10	2.50	2.03	14.05	2.30	10.21	2.54	21.58
	22	22AEH	6.63	3.50	1.56	10.30	3.15	3.62	3.30	2.60	17.53	3.12	12.81	2.73	39.89
Carbon	20	20CSEH	8.50	4.50	2.00	14.06	4.56	-	4.25	3.75	24.69	3.00	18.19	3.88	-
	30	30CSEH	9.30	4.94	2.18	15.44	5.06	-	4.75	4.50	27.36	3.38	20.12	4.75	-
	40	40CSEH	10.75	5.69	2.53	18.50	6.00	-	5.75	5.75	32.25	4.12	23.72	5.69	-

May also be used on Tuflex Bridle Roundslings and Web Bridle Slings.

Sorting Hooks

- Quenched and tempered alloy steel.
- Long tapered point designed for easy grab in rings, pear links, eye bolts or lifting holes.
- Durable powder-coated finish.
- Do not load last 1" of the tip.
- Design factor 5:1.

- **WLL at tip: 2.0-Ton**
- **WLL at bowl: 7.5-Ton**



Part Number*	Dimensions (in.)										Weight (lbs.)
	A	B	C	D	E	F	G	H	I	M	
2SORT	3.00	1.44	0.78	7.34	3.75	1.28	1.25	3.93	10.09	6.58	6.8

* For Handle, add 'H' to part number (2SORTH).

1 Rated Capacity also referred to as "Working Load Limit"

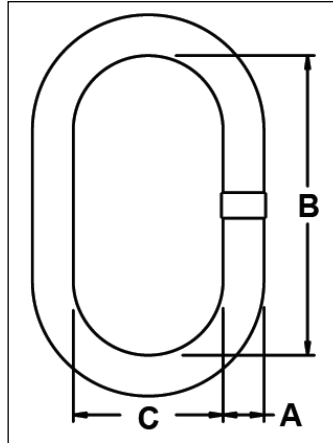
* **WARNING**

Do not exceed rated capacities. Sling capacity decreases as the angle from horizontal decreases. Do not use slings at angles of less than 30°. Refer to the Effect of Angle chart found in the HELP section of this catalog.

WIRE ROPE SLING HARDWARE

Alloy Oblong Master Link

- Drop forged through 1".
- Larger sizes welded.
- Design factor 5:1.



¹ Rated Capacity*		Part Number	Dimensions* (in.)			Weight Each (lbs.)
tons	lbs.		A Oblong Size (Diameter)	B Inside Length	C Inside Width	
3.0	6,100	12DOL	1/2	5.00	2.50	0.9
6.6	13,200	34DOL	3/4	6.00	3.00	2.5
11.2	22,400	1DOL	1	8.00	4.00	5.8
16.2	32,400	114DOL	1-1/4	8.75	4.38	9.2
24.5	49,000	112DOL	1-1/2	10.50	5.25	16
36.7	73,400	134DOL	1-3/4	12.00	6.00	25
44.4	88,800	2G8OL	2	14.00	7.00	37
62.6	125,200	214G8OL	2-1/4	16.00	8.00	54
93.9	187,800	234G8OL	2-3/4	16.00	9.00	85

*¹Rated Capacity also referred to as "Working Load Limit".

*



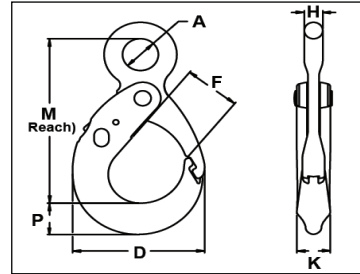
WARNING

Do not exceed rated capacities. Sling capacity decreases as the angle from horizontal decreases. Do not use slings at angles of less than 30°. Refer to the Effect of Angle chart found in the HELP section of this catalog.

WIRE ROPE SLING HARDWARE

Latchlok Eye Hooks

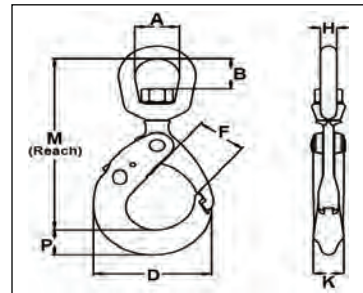
- Heavy-duty latch with lock prevents accidental opening.
- Drop forged alloy steel.
- Durable powder-coated finish.
- Design factor 5:1.



Part Number	¹Rated Capacity		Dimensions (in.)							Weight Each (lbs.)
	TONS	LBS	A	M	P	D	F	H	K	
932G10ELLH	1.7	3,400	1.09	537	0.88	3.77	1.64	0.47	0.91	2.50
38G10ELLH	3.5	7,000	1.36	6.65	1.07	4.74	2.27	0.59	1.15	4.74
12G10ELLH	6.0	12,000	1.57	8.79	1.58	6.26	2.91	0.80	1.47	10.00
58G10ELLH	9.0	18,000	2.00	10.37	1.97	7.37	3.22	1.03	1.85	16.00

Swivel Latchlok Hooks with Bushings

- Hook swivels beneath the eye.
- Heavy-duty latch with lock prevents accidental opening.
- Durable powder-coated finish.
- Positive locking hook.
- Design factor 5:1.



Part Number	Size	¹Rated Capacity		Dimensions (in.)								Weight Each (lbs.)
		TONS	LBS	H	M	P	D	F	A	B	K	
932G10SLLH	9/32	1.7	3,400	0.62	7.17	0.88	3.77	1.64	1.50	1.33	0.91	3.5
38G10SLLH	3/8	3.5	7,000	0.77	8.73	1.07	4.76	2.26	1.75	1.63	1.15	4.8
12G10SLLH	1/2	6.0	12,000	0.93	11.18	1.58	6.26	2.91	1.00	1.76	1.47	10.6
58G10SLLH	5/8	9.0	18,000	1.00	13.35	1.97	7.37	3.22	2.75	2.38	1.85	17.0

USING LATCHLOK™ HOOKS SAFELY

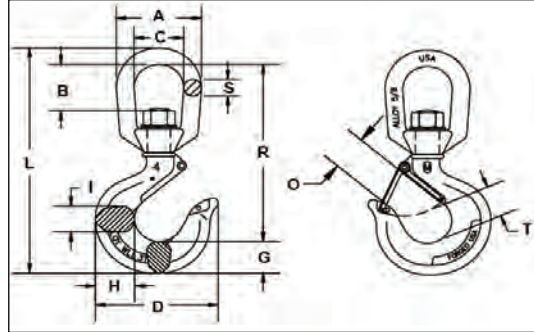
- △ Do not apply load unless latch and hook are completely closed and locked.
- △ Make certain that the latch does not support any part of the the load.
- △ When lifting, make certain that the load is firmly seated in the base (bowl) of the hook.
- △ Inspect hook and latch periodically. If the hook or latch is damaged or if the latch fails to interlock with the tip, the hook should be removed from service.
- △ Do not exceed the working load limit.
- △ Do not use if the hook is visibly distorted, damaged, or worn.
- △ Keep body and other objects clear of the latch when closing to avoid the pinch point.
- △ Do not side load or tip load hook.
- △ User should be properly trained and understand safe rigging practices.

¹Rated Capacity also referred to as "Working Load Limit"

WIRE ROPE SLING HARDWARE

Swivel Rigging Eye Hooks

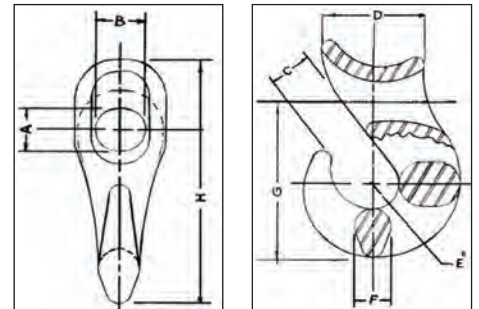
- Pre-drilled for latches.
- Heat-treated, quenched and tempered.
- Design factor 5:1.
- Shown with optional latch.



Rated Cap.* (tons)	Part Number	Dimensions (inches)											Weight Each (lbs.)	
		A	B	C	D	G	H	I	L	R	S	T		O
1	1ASWH	2.00	1.11	1.31	3.06	0.87	1.05	0.63	5.83	4.63	0.38	0.87	0.93	1.05
1-1/2	112ASWH	2.50	1.38	1.50	3.33	0.94	1.11	0.71	6.83	5.44	0.50	0.97	0.97	1.56
2	2ASWH	3.00	1.65	1.75	3.67	1.06	1.21	0.88	7.76	6.25	0.63	1.03	1.06	2.50
3	3ASWH	3.00	1.65	1.75	4.20	1.27	1.43	0.94	8.40	6.49	0.63	1.16	1.16	3.20
5	5ASWH	3.50	1.77	2.00	5.11	1.44	1.63	1.31	9.76	7.53	0.75	1.53	1.41	5.36
7	7ASWH	4.75	2.39	2.75	6.24	1.82	2.01	1.68	12.42	9.67	1.00	1.94	1.69	10.56
11	11ASWH	5.50	2.55	3.25	7.69	2.25	2.63	1.88	14.89	12.06	1.13	2.46	2.22	19.00
15	15ASWH	6.00	2.47	3.50	8.37	2.59	2.94	2.19	15.79	11.95	1.25	2.62	2.23	26.75
22	22ASWH	7.75	3.82	4.75	10.19	3.00	3.50	2.69	21.18	16.68	1.50	2.74	3.05	51.80

Sliding Choker Hooks

- Speeds rigging time of bundled loads.
- Reduces sling wear when used with thimbles. When using on multi-part slings, contact *Lift-All* for additional information.
- Saddle is rounded to minimize wear.
- Hook opening is large enough to take a galvanized plow steel thimble the same size as the hook size.



Hook Number (Rope Dia.)	Rated Cap.* (tons)	Dimension (in.)								Weight (lbs.)
		A	B	C	D	E	F	G	H	
3/8	1.1	0.69	0.69	0.63	2.00	0.44	0.69	3.13	4.25	1.3
1/2	1.7	0.75	0.75	0.88	2.13	0.50	0.75	3.63	4.81	1.8
5/8	2.5	0.88	0.88	1.13	2.75	0.56	0.94	4.44	5.94	4.0
3/4	4	1.00	1.00	1.13	3.13	0.69	1.25	4.69	6.44	4.5
7/8 & 1	7.2	1.25	1.25	1.25	4.25	0.88	1.56	6.06	8.13	10
1-1/8 & 1-1/4	11	2.31	2.31	2.75	5.63	1.00	1.75	8.69	11.63	26



*Rated Capacity also referred to as "Working Load Limit!"

*

WARNING

Do not exceed rated capacities. Sling capacity decreases as the angle from horizontal decreases. Do not use slings at angles of less than 30°. Refer to the Effect of Angle chart found in the HELP section of this catalog.