

CM® HURRICANE 360° HAND CHAIN HOIST



The **CM® Hurricane 360°** is unlike any other hand chain hoist on the market today. Featuring a one-of-a-kind hand chain cover, the **CM Hurricane 360°** provides flexibility and versatility for challenging applications.

The **Hurricane's** patented hand chain cover rotates a full 360 degrees, allowing loads to be lifted, positioned or pulled from virtually any angle – even in confined spaces. It also permits the operator to stand safely away from the load, helping to prevent accidents and injuries.

Trusted Reliability and Safety

- The braking power of the Weston-style braking system provides positive load control and reliable performance.
- Standard load limiter provides simple, automatic overload protection to prevent injuries.

Built to Last

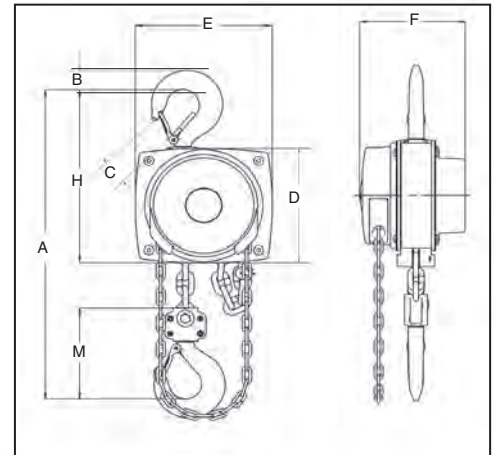
- All internal gears and pinions are heat-treated steel for high strength and long life.
- Fully machined, precision 4-pocket lift wheel provides better chain fit and alignment to reduce wear.

Rugged Toughness

- Powder-coated finish for corrosion protection.
- Alloy hardened steel load chain assures high strength and long life.
- Meets ASME B30.16 and European CE standards.
- 5-Year Warranty against defects in materials and workmanship.

Ease of Maintenance

- Requires minimal maintenance and easy to disassemble with no special tools.



Part Number	Load Rating (tons)	Lift (ft.)	Net Weight (lbs.)	Hand Chain Pull to Lift Rated Load (lbs.)	Hand Chain Overhauled to Lift Load 1-FT. (ft.)	Dimensions (in.)							
						A	B	C	D	E	F	H	M
12HCHX10	1/2	10	19.8	44	30	11.81	0.69	0.95	5.24	5.83	5.47	8.11	4.33
12HCHX15		15	21.0										
12HCHX20		20	23.4										
1HCHX10	1	10	28.7	54	49	13.19	0.87	1.14	6.14	6.89	6.58	9.53	4.92
1HCHX15		15	30.7										
1HCHX20		20	34.8										
2HCHX10	2	10	44.1	74	71	15.55	1.18	1.38	7.17	7.99	7.64	11.14	6.14
2HCHX15		15	47.6										
2HCHX20		20	54.7										
3HCHX10	3	10	61.7	92	87	20.47	1.50	1.58	8.66	9.84	8.62	13.19	7.00
3HCHX15		15	67.5										
3HCHX20		20	79.2										
5HCHX10	5	10	83.8	76	174	25.75	1.77	1.85	8.66	9.84	8.62	13.86	11.22
5HCHX15		15	95.4										
5HCHX20		20	118.6										
10HCHX10	10	10	156.6	102	261	32.48	2.68	2.68	8.66	15.08	8.62	17.17	15.79
10HCHX15		15	174.0										
10HCHX20		20	208.8										

Options available include chain containers, latchlok hook, zinc-coated load and hand chain. Contact **Lift-All** for details.

*



- Do not exceed working load limit (load rating capacity).
- Do not lift loads over people.
- Do not use to lift people.

- Use only alloy chain for overhead lifting.
- Read and follow all instructions.

CM[®] MANUAL CHAIN HOISTS

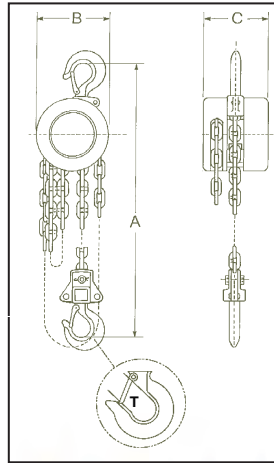
All **CM**[®] Hoists come with hardened alloy load chain and fully enclosed brake and housing for long life. Swivel hooks make connection and turning of load easy.



CM[®] CYCLONE

Cyclone hoists are the premium grade manual chain hoists. Built for heavy duty use, these hoists are most often placed for permanent installation using the standard hook or mounting directly to a low-headroom plain or geared trolley.

- Cast aluminum body for strength.
- Load Limiter - prevents hoist damage from excessive loads.
- Lifetime warranty against defects in workmanship and materials.
- Made in U.S.A.



CM[®] SERIES 622

Series 622



Part Number	Standard Lifts ³ (ft.)	Max. Cap. (tons)*	Strands of Load Chain	Hand Chain		A (in.)	B (in.)	C (in.)	T (in.)	10-ft. Net Wt. (lbs.)
				Pull ¹ (lbs.)	Overhaul ² (ft.)					
Cyclone										
14CHX10	10	1/4	1	23	22.5	12.88	10.88	7.19	1.35	40
12CHX10	10	1/2	1	46	22.5	12.88	10.88	7.19	1.35	40
1CHX10	10	1	1	69	30.0	14.00	10.88	7.19	1.13	43
112CHX10	10	1-1/2	1	80	40.5	17.31	10.88	6.69	1.31	70
2CHX10	10	2	1	83	52.0	17.31	10.88	6.69	1.31	70
3CHX10	10	3	2	85	81.0	21.50	12.25	8.94	1.63	103
4CHX10	10	4	2	88	104.0	21.50	12.25	8.94	1.63	103
5CHX10	10	5	3	75	156.0	24.50	14.50	10.31	1.63	138
6CHX10	10	6	3	90	156.0	25.25	14.50	10.31	1.75	142
8CHX10	10	8	4	89	208.0	34.50	17.50	12.75	2.31	248
10CHX10	10	10	5	95	260.0	35.50	17.50	12.75	2.31	251
Series 622**										
12CHIX	10,15,20,30	1/2	1	45	32	11.63	4.94	4.31	0.75	18
1CHIX	10,15,20,30	1	1	74	39	13.00	5.60	5.06	0.88	26
2CHIX	10,15,20,30	2	1	70	77	18.13	8.31	6.62	1.06	61
3CHIX	10,20	3	2	54	154	21.91	8.31	6.62	1.25	89
5CHIX	10,20	5	2	88	154	23.88	8.31	6.62	1.69	91
10CHIX10	10	10	4	90	308	27.56	14.10	6.62	2.19	170

** Add Lift after X to complete part number

- 1 Pull required to lift rated load.
- 2 Overhaul distance to lift load one foot.
- 3 Can be supplied with longer lifts.

*

WARNING

- Do not exceed working load limit (load rating capacity).
- Do not lift loads over people.
- Do not use to lift people
- Use only alloy chain for overhead lifting.
- Read and follow all instructions.