

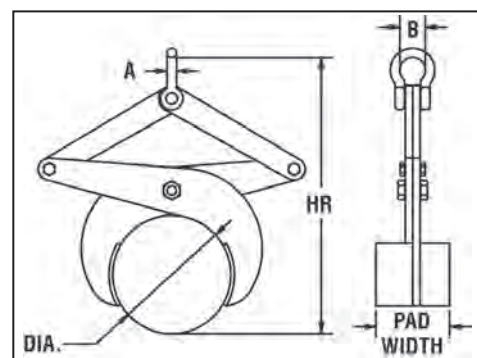
PIPE TONGS (PTL)

For Vertical Lifting Only (not Suspension)



Features

- Pipe Tongs are made of sturdy construction to handle pipe, round bars, castings, etc.
- Tongs are provided with bare steel curved gripping arms.
- Optional replaceable urethane pads available to protect smooth or polished surfaces.
- May be used in pairs with a lifting beam for added stability.



FIXED DIAMETER

Rated Capacity (lbs.)	Part Number	Dia. (in.)	Headroom Minimum (in.)	A (in.)	B (in.)	Weight (lbs.)
1000	PTLF5	5	15.50	0.50	1.31	17
2000	PTLF8	8	23.50	0.50	1.31	25

ADJUSTABLE DIAMETER

Rated Capacity (lbs.)	Part Number	Bare Steel Range Min / Max (in.)	Urethane Pad Range Min / Max (in.)	HR Headroom Range Min / Max (in.)	Pad Width (in.)	A (in.)	B (in.)	Weight (lbs.)
1000	PTLA4	2.00 / 4.00	1.25 - 3.25	11.21 - 15.15	2.50	0.50	1.31	8
2000	PTLA8	4.00 / 8.00	3.25 - 7.25	19.18 - 26.49	5.00	0.50	1.31	29
2000	PTLA12	7.00 / 12.00	6.25 - 11.25	25.95 - 35.81	6.00	0.50	1.31	49
2000	PTLA15	10.00 / 15.00	9.25 - 14.25	30.03 - 38.67	6.00	0.50	1.31	77



⚠ WARNING

Decreasing the load by bumping or substantial imbalance can, under certain circumstances, loosen the grip. Do not use in diameters other than those specified on nameplate.