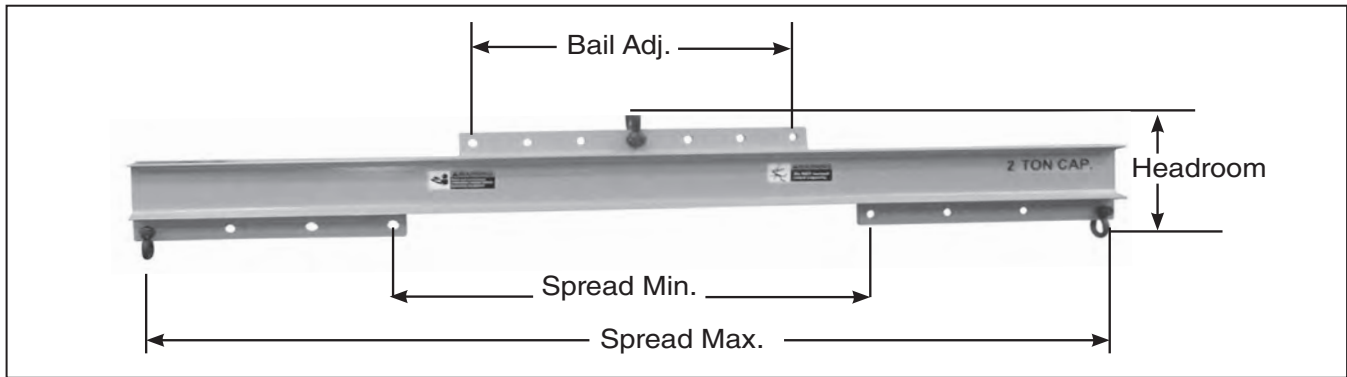


Economical Lifting Beams

ADJUSTABLE SPREADER/LIFTING BEAM (ASLB16)

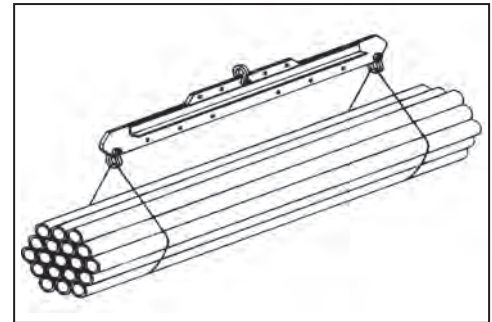


Features

- Use for 2, 3, or 4-point lifting, or as a spreader beam (optional top rigging).
- Adjustable lifting points.
- Handles both wide and unbalanced loads.
- Low headroom capability.
- Shackles included.
- 6" spread adjustments.
- 4" bail adjustments.

Options

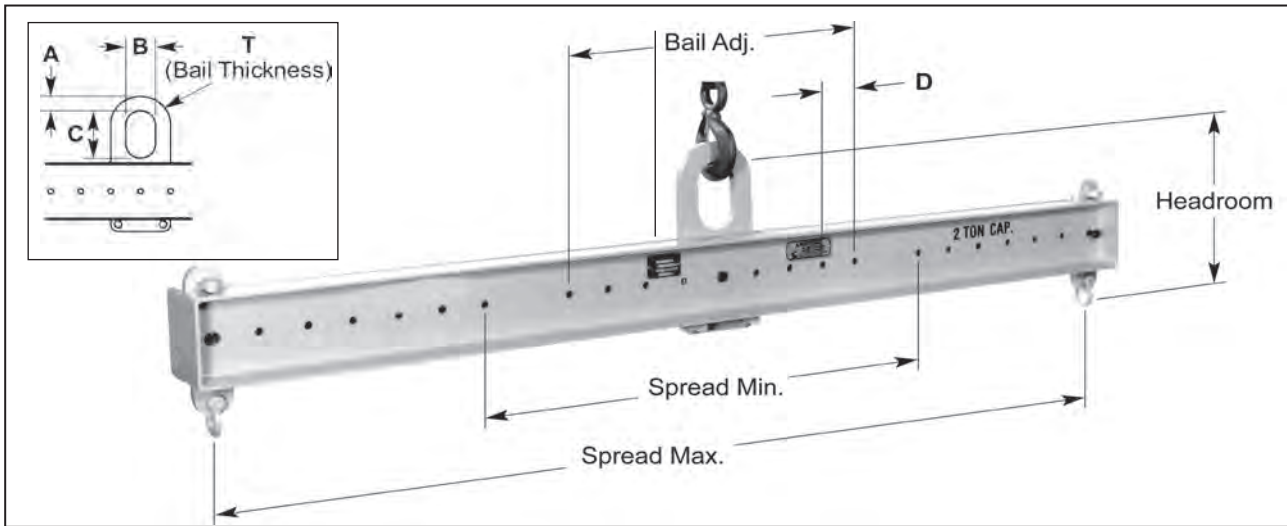
- Pair of swivel hooks*.
- Top chain rigging available.



| Rated Capacity (tons) | Part Number* | Spread (ft.) | | Bail Adjustment (in.) | Bolt Style Anchor Shackles (tons) | | Headroom (in.) | Weight (lbs.) |
|-----------------------|--------------|--------------|------|-----------------------|-----------------------------------|--------|----------------|---------------|
| | | Max. | Min. | | Top | Bottom | | |
| 1/4 | ASLB.5X4 | 4 | 1 | 16 | 1.50 | 1.50 | 7.13 | 40 |
| 1/2 | ASLB1X4 | 4 | 1 | 16 | 1.50 | 1.50 | 7.13 | 40 |
| 1/2 | ASLB1X6 | 6 | 3 | 24 | 1.50 | 1.50 | 10.00 | 100 |
| 1/2 | ASLB1X8 | 8 | 4 | 32 | 1.50 | 1.50 | 10.00 | 135 |
| 1/2 | ASLB1X10 | 10 | 5 | 40 | 1.50 | 1.50 | 10.00 | 145 |
| 1 | ASLB2X6 | 6 | 3 | 24 | 1.50 | 1.50 | 10.00 | 100 |
| 1 | ASLB2X8 | 8 | 4 | 32 | 1.50 | 1.50 | 11.00 | 140 |
| 1 | ASLB2X10 | 10 | 5 | 40 | 1.50 | 1.50 | 11.00 | 175 |
| 2 | ASLB4X6 | 6 | 3 | 24 | 3.25 | 2.00 | 12.50 | 130 |
| 2 | ASLB4X8 | 8 | 4 | 32 | 3.25 | 2.00 | 13.50 | 200 |
| 2 | ASLB4X10 | 10 | 5 | 40 | 3.25 | 2.00 | 14.50 | 280 |
| 4 | ASLB8X8 | 8 | 4 | 32 | 4.75 | 4.75 | 16.75 | 290 |
| 4 | ASLB8X10 | 10 | 5 | 40 | 4.75 | 4.75 | 18.75 | 420 |
| 4 | ASLB8X12 | 12 | 6 | 48 | 4.75 | 4.75 | 18.75 | 500 |
| 5 | ASLB10X8 | 8 | 4 | 32 | 6.50 | 4.75 | 18.75 | 320 |
| 5 | ASLB10X10 | 10 | 5 | 40 | 6.50 | 4.75 | 20.25 | 465 |
| 5 | ASLB10X12 | 12 | 6 | 48 | 6.50 | 4.75 | 20.25 | 550 |
| 7 | ASLB14X12 | 12 | 6 | 48 | 8.50 | 6.50 | 23.75 | 790 |

* For optional swivel hooks, add an "S" to part number and contact *Lift-All* for pricing.

ADJUSTABLE LIFTING BEAM (ALB17)

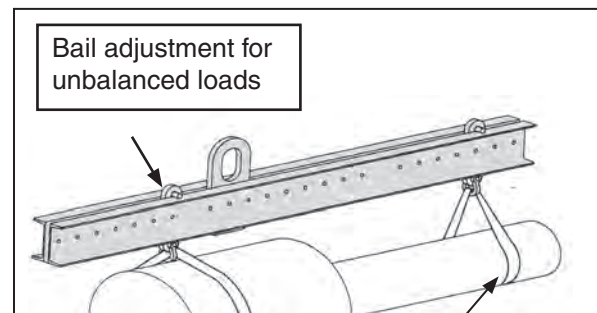


Features

- Adjust bail horizontally for lifting unbalanced loads.
- Provides clearance in low headroom applications.
- Spread adjusts in 6" increments.
- Shackles included.

OPTIONS

- Pair of swivel hooks*.

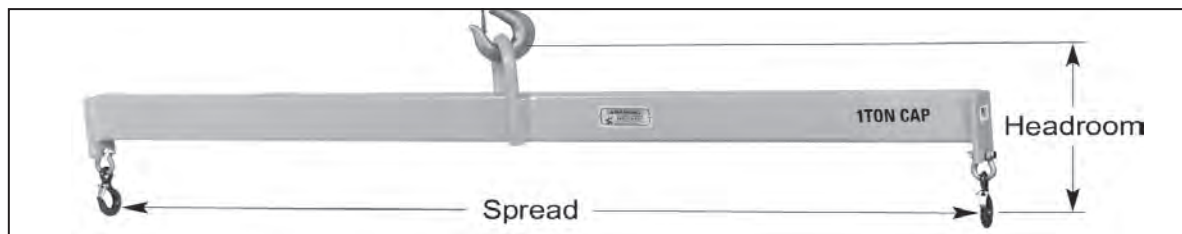


Lift points adjusted for load length

| Rated Capacity (tons) | Part Number* | Spread (ft.) | | Bail Adjustment (in.) | | Bail Dimensions A • B • C • T (in.) | Headroom (in.) | Weight (lbs.) |
|-----------------------|--------------|--------------|------|-----------------------|---|-------------------------------------|----------------|---------------|
| | | Max. | Min. | Range | D | | | |
| 1-1/4 | ALB2.5X6 | 6 | 3 | 24 | 3 | 1.50 • 3.00 • 5.00 • 0.63 | 14.7 | 150 |
| 2 | ALB4X6 | 6 | 3 | 24 | 3 | 1.50 • 3.00 • 5.00 • 0.63 | 14.7 | 155 |
| 4 | ALB8X8 | 8 | 4.5 | 36 | 6 | 2.00 • 4.00 • 7.00 • 0.75 | 19.8 | 285 |
| 5 | ALB10X10 | 10 | 5 | 36 | 6 | 2.00 • 4.00 • 7.00 • 1.00 | 22.4 | 475 |

* For optional swivel hooks, add an "S" to part number and contact *Lift-All* for pricing.

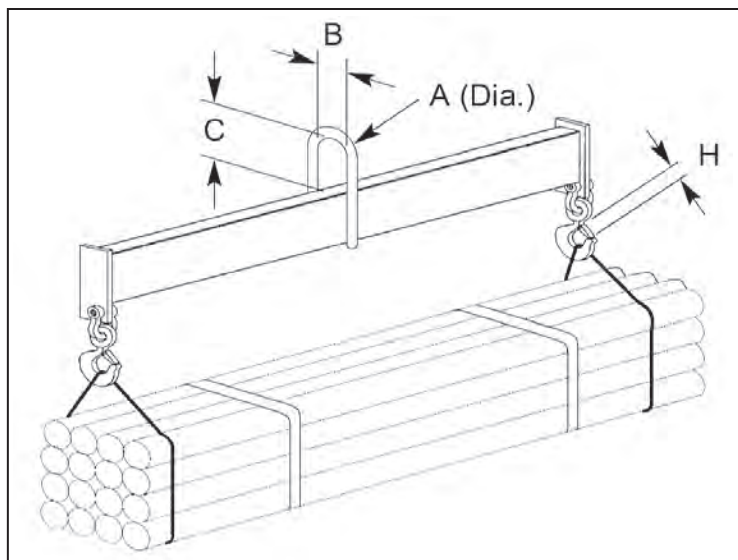
FIXED SPREAD LIFTING BEAM (FSLB19)



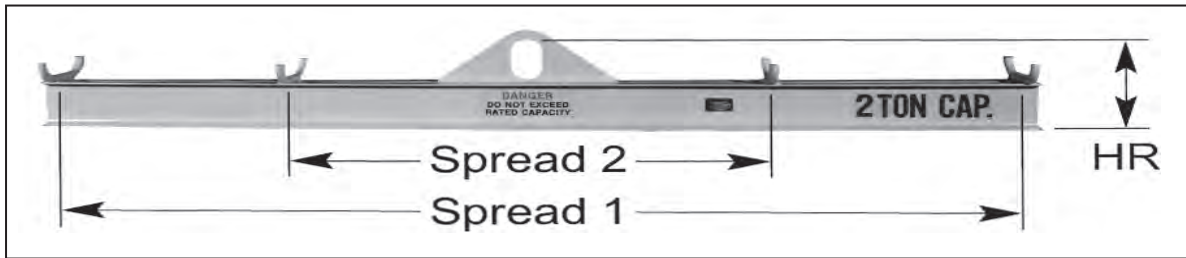
| Rated Capacity (tons) | Part Number | Spread (ft.) | Bail Dimensions A • B • C • H (in.) | Headroom (in.) | Weight (lbs.) |
|-----------------------|-------------|--------------|-------------------------------------|----------------|---------------|
| 1/2 | FSLB1X2 | 2 | | 13.75 | 20 |
| | FSLB1X3 | 3 | A • 0.75 | 13.75 | 26 |
| | FSLB1X4 | 4 | B • 3.00 | 13.75 | 33 |
| | FSLB1X6 | 6 | C • 5.00 | 13.75 | 48 |
| | FSLB1X8 | 8 | H • 0.89 | 14.75 | 75 |
| | FSLB1X10 | 10 | | 14.75 | 93 |
| 1 | FSLB2X2 | 2 | | 14.75 | 26 |
| | FSLB2X3 | 3 | A • 1.00 | 14.75 | 35 |
| | FSLB2X4 | 4 | B • 3.00 | 14.75 | 44 |
| | FSLB2X6 | 6 | C • 5.00 | 15.75 | 72 |
| | FSLB2X8 | 8 | H • 0.89 | 15.75 | 93 |
| | FSLB2X10 | 10 | | 16.75 | 131 |
| 2 | FSLB4X3 | 3 | A • 1.00 | 16.75 | 45 |
| | FSLB4X4 | 4 | B • 3.00 | 17.75 | 55 |
| | FSLB4X6 | 6 | C • 5.00 | 19.75 | 108 |
| | FSLB4X8 | 8 | H • 1.00 | 19.75 | 140 |
| | FSLB4X10 | 10 | | 19.75 | 188 |
| 3 | FSLB6X3 | 3 | A • 1.50 | 18.50 | 58 |
| | FSLB6X4 | 4 | B • 4.00 | 20.50 | 87 |
| | FSLB6X6 | 6 | C • 7.00 | 20.50 | 118 |
| | FSLB6X8 | 8 | H • 1.00 | 20.50 | 222 |
| | FSLB6X10 | 10 | | 20.50 | 272 |

Features

- Fixed spread.
- Eye hooks with latches.
- Sealed construction for cleaner beam.

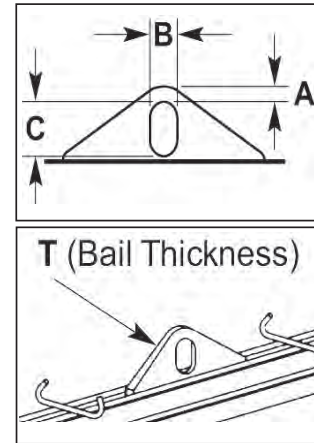


BASKET SLING LIFTING BEAM (BSLB18)



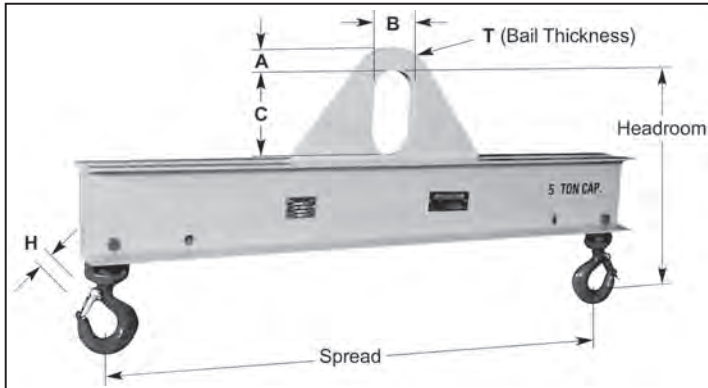
Features

- Best beam for low headroom applications.
- Fixed spread.
- Bent bar hooks allow for 2" wide sling eyes:
 - One set for 3' and 4' spreads.
 - Two sets for 6' through 12' spreads.
- Spread 2 is one-half of spread 1.



| Rated Capacity (tons) | Part Number | Spread (ft.) | Bail Dimensions A • B • C • T (in.) | Headroom (in.) | Weight (lbs.) |
|-----------------------|-------------|--------------|-------------------------------------|----------------|---------------|
| 1/2 | BSLB1X3 | 3 | | 8.50 | 40 |
| | BSLB1X4 | 4 | A • 0.88 | 8.50 | 48 |
| | BSLB1X6 | 6 | B • 3.00 | 8.50 | 78 |
| | BSLB1X8 | 8 | C • 5.00 | 8.50 | 95 |
| | BSLB1X10 | 10 | T • 0.75 | 8.50 | 113 |
| | BSLB1X12 | 12 | | 9.50 | 171 |
| 1 | BSLB2X3 | 3 | | 8.50 | 40 |
| | BSLB2X4 | 4 | A • 0.88 | 8.50 | 48 |
| | BSLB2X6 | 6 | B • 3.00 | 9.50 | 93 |
| | BSLB2X8 | 8 | C • 5.00 | 10.50 | 136 |
| | BSLB2X10 | 10 | T • 0.75 | 10.50 | 175 |
| | BSLB2X12 | 12 | | 11.50 | 239 |
| 2 | BSLB4X3 | 3 | | 9.50 | 52 |
| | BSLB4X4 | 4 | A • 0.88 | 10.50 | 75 |
| | BSLB4X6 | 6 | B • 3.00 | 10.50 | 139 |
| | BSLB4X8 | 8 | C • 5.00 | 11.50 | 169 |
| | BSLB4X10 | 10 | T • 0.75 | 12.50 | 246 |
| | BSLB4X12 | 12 | | 13.50 | 326 |
| 5 | BSLB10X3 | 3 | | 13.50 | 104 |
| | BSLB10X4 | 4 | A • 2.00 | 14.50 | 135 |
| | BSLB10X6 | 6 | B • 4.00 | 15.50 | 211 |
| | BSLB10X8 | 8 | C • 7.00 | 16.50 | 310 |
| | BSLB10X10 | 10 | T • 1.25 | 17.50 | 423 |
| | BSLB10X12 | 12 | | 19.50 | 618 |

LOW HEADROOM MULTIPLE SPREAD LIFTING BEAM (LHLB20)

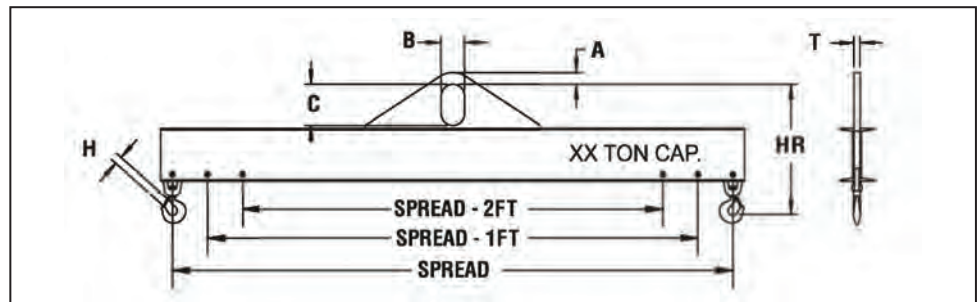


Features

- Great for low headroom applications.
- Swivel hooks with latches standard.
- 3' & 4' beams have two spreads.
- Beams 6' and longer have three spreads.
- Inner spread lengths are shorter than outer spreads by 1' increments.
- Additional or custom hole configuration available.

| Rated Capacity (tons) | Part Number | Spread (ft.) | Bail Dimensions A • B • C • T • H (in.) | Headroom (in.) | Weight (lbs.) |
|-----------------------|-------------|--------------|--|----------------|---------------|
| 1/2 | LHLB1X3 | 3 | A • 0.88 B • 3.00 C • 5.00 T • 0.75 H • 0.88 | 12.75 | 40 |
| | LHLB1X4 | 4 | | 12.75 | 50 |
| | LHLB1X6 | 6 | | 12.75 | 65 |
| | LHLB1X8 | 8 | | 12.75 | 95 |
| | LHLB1X10 | 10 | | 13.75 | 140 |
| | LHLB1X12 | 12 | | 13.75 | 160 |
| | LHLB1X14 | 14 | | 14.75 | 230 |
| | LHLB1X16 | 16 | | 15.75 | 305 |
| | LHLB1X18 | 18 | | 16.75 | 400 |
| | LHLB1X20 | 20 | | 16.75 | 450 |
| | LHLB1X24 | 24 | | 20.25 | 830 |
| LHLB1X30 | 30 | 22.25 | 1340 | | |
| 1 | LHLB2X3 | 3 | A • 0.88 B • 3.00 C • 5.00 T • 0.75 H • 0.88 | 12.75 | 40 |
| | LHLB2X4 | 4 | | 12.75 | 50 |
| | LHLB2X6 | 6 | | 13.75 | 85 |
| | LHLB2X8 | 8 | | 13.75 | 115 |
| | LHLB2X10 | 10 | | 14.75 | 165 |
| | LHLB2X12 | 12 | | 15.75 | 230 |
| | LHLB2X14 | 14 | | 16.75 | 320 |
| | LHLB2X16 | 16 | | 18.50 | 415 |
| | LHLB2X18 | 18 | | 20.25 | 605 |
| | LHLB2X20 | 20 | | 20.25 | 675 |
| LHLB2X24 | 24 | 22.25 | 1095 | | |
| 2 | LHLB4X3 | 3 | A • 0.88 B • 3.00 C • 5.00 T • 0.75 H • 0.88 | 13.75 | 50 |
| | LHLB4X4 | 4 | | 13.75 | 65 |
| | LHLB4X6 | 6 | | 14.75 | 100 |
| | LHLB4X8 | 8 | | 16.50 | 165 |
| | LHLB4X10 | 10 | | 17.50 | 230 |
| | LHLB4X12 | 12 | | 18.25 | 315 |
| | LHLB4X14 | 14 | | 20.25 | 480 |
| | LHLB4X16 | 16 | | 20.25 | 540 |
| | LHLB4X18 | 18 | | 24.75 | 800 |
| | LHLB4X20 | 20 | | 24.75 | 900 |
| LHLB4X24 | 24 | 27.75 | 1730 | | |

LOW HEADROOM MULTIPLE SPREAD LIFTING BEAM (LHLB20)



OPTIONS:

Extra Holes
Allows for extra hook positions in addition to the standard holes.
Specify number and spread.

FasPins
Allows for easy repositioning of hooks. Recommended for frequent hook position changes.

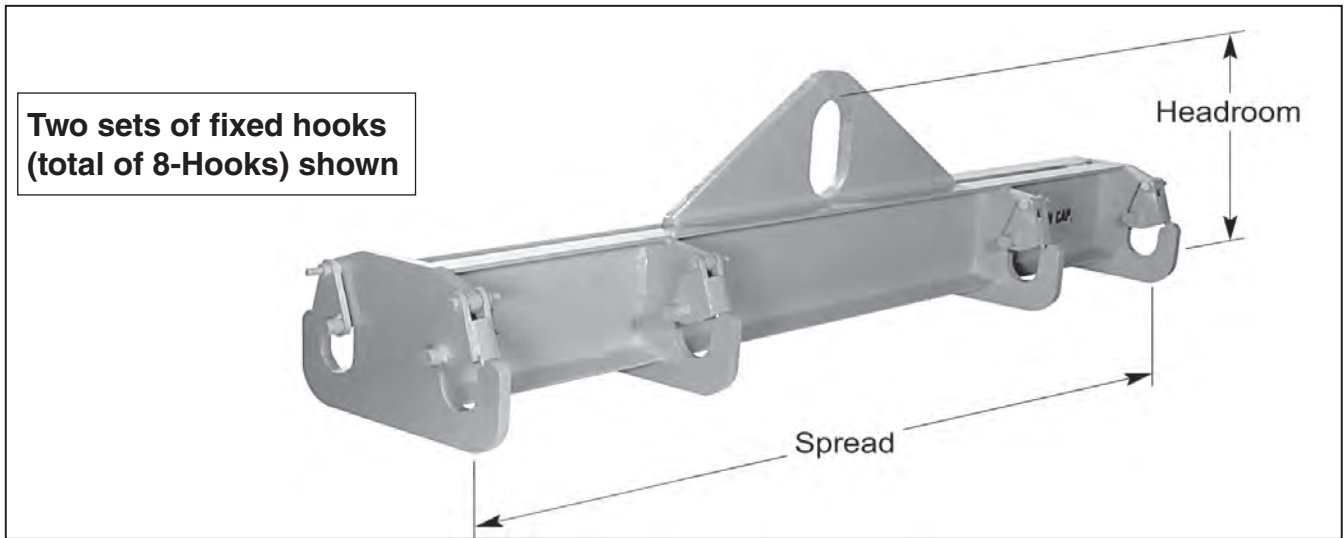
Extra Hooks
Allows for multiple pick points.
Saves time from having to move hooks.

| Rated Capacity (tons) | Part Number | Spread (ft.) | Bail Dimensions A • B • C • T • H (in.) | Headroom (in.) | Weight (lbs.) |
|-----------------------|-------------|--------------|--|----------------|---------------|
| 3 | LHLB6X3 | 3 | A • 1.25 B • 3.00 C • 5.00 T • 1.00 H • 1.00 | 15.25 | 70 |
| | LHLB6X4 | 4 | | 15.25 | 80 |
| | LHLB6X6 | 6 | | 16.25 | 140 |
| | LHLB6X8 | 8 | | 17.25 | 200 |
| | LHLB6X10 | 10 | | 18.25 | 275 |
| | LHLB6X12 | 12 | | 22.50 | 415 |
| | LHLB6X14 | 14 | | 24.50 | 650 |
| | LHLB6X16 | 16 | | 24.50 | 730 |
| | LHLB6X18 | 18 | | 27.50 | 1295 |
| | LHLB6X24 | 24 | | 27.50 | 1450 |
| 5 | LHLB10X3 | 3 | A • 2.00 B • 4.00 C • 7.00 T • 1.25 H • 1.94 | 19.50 | 115 |
| | LHLB10X4 | 4 | | 20.50 | 145 |
| | LHLB10X6 | 6 | | 21.50 | 205 |
| | LHLB10X8 | 8 | | 25.50 | 325 |
| | LHLB10X10 | 10 | | 25.50 | 390 |
| | LHLB10X12 | 12 | | 27.50 | 580 |
| | LHLB10X14 | 14 | | 27.50 | 690 |
| | LHLB10X16 | 16 | | 30.25 | 1210 |
| | LHLB10X18 | 18 | | 30.25 | 1340 |
| | LHLB10X24 | 24 | | 30.25 | 1505 |
| 7-1/2 | LHLB15X3 | 3 | A • 2.00 B • 4.00 C • 7.00 T • 1.25 H • 1.50 | 22.50 | 135 |
| | LHLB15X4 | 4 | | 23.25 | 170 |
| | LHLB15X6 | 6 | | 25.25 | 265 |
| | LHLB15X8 | 8 | | 27.25 | 415 |
| | LHLB15X10 | 10 | | 27.25 | 500 |
| | LHLB15X12 | 12 | | 30.25 | 910 |
| | LHLB15X14 | 14 | | 30.25 | 1070 |
| | LHLB15X18 | 18 | | 33.00 | 1665 |
| 10 | LHLB20X3 | 3 | A • 2.00 B • 4.00 C • 7.00 T • 1.25 H • 1.56 | 23.50 | 150 |
| | LHLB20X4 | 4 | | 25.25 | 205 |
| | LHLB20X6 | 6 | | 27.25 | 335 |
| | LHLB20X8 | 8 | | 27.25 | 420 |
| | LHLB20X10 | 10 | | 30.25 | 775 |
| | LHLB20X12 | 12 | | 30.25 | 910 |
| | LHLB20X14 | 14 | | 30.25 | 1075 |
| | LHLB20X16 | 16 | | 33.00 | 1500 |
| | LHLB20X18 | 18 | | 33.00 | 1670 |

Industrial Lifting Beams

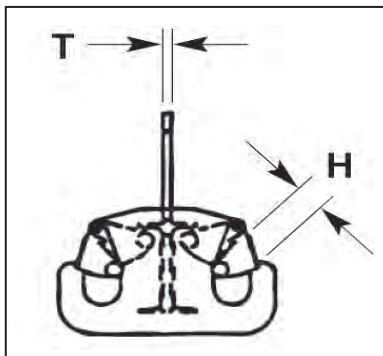
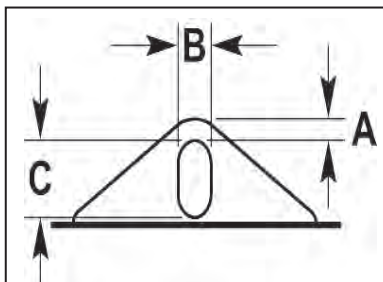


HEAVY DUTY TWIN BASKET SLING LIFTING BEAM (HDLB22)



Features

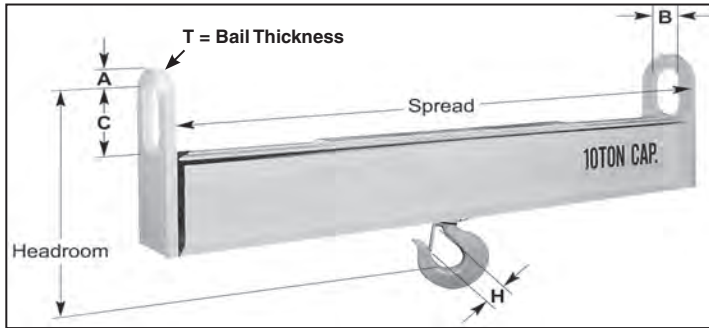
- For use with slings in a basket hitch.
- Latch hooks designed to minimize sling eye damage.
- One set of fixed hooks standard for 3' and 4' lengths (total of 4-hooks).
- Two sets of fixed hooks standard for all lengths over 4' (total of 8-hooks).
- Inner spread is one-half of outer spread.
- Extra spreads available upon request.



| Rated Capacity (tons) | Part Number | Spread (ft.) | Bail / Hook Dimensions A • B • C • T • H (in.) | Headroom (in.) | Weight (lbs.) |
|-----------------------|-------------|--------------|--|----------------|---------------|
| 1/2 | HDLB1X3 | 3 | A • 0.88 | 8.50 | 50 |
| | HDLB1X4 | 4 | B • 3.00 | 8.50 | 65 |
| | HDLB1X6 | 6 | C • 5.00 | 8.50 | 110 |
| | HDLB1X8 | 8 | T • 0.75 | 8.50 | 150 |
| | HDLB1X10 | 10 | H • 1.06 | 9.50 | 200 |
| | HDLB1X12 | 12 | | 9.50 | 220 |
| 1 | HDLB2X3 | 3 | A • 0.88 | 8.50 | 50 |
| | HDLB2X4 | 4 | B • 3.00 | 8.50 | 65 |
| | HDLB2X6 | 6 | C • 5.00 | 9.50 | 145 |
| | HDLB2X8 | 8 | T • 0.75 | 10.50 | 210 |
| | HDLB2X10 | 10 | H • 1.12 | 10.50 | 230 |
| | HDLB2X12 | 12 | | 11.50 | 290 |
| 2 | HDLB4X3 | 3 | A • 0.88 | 9.50 | 70 |
| | HDLB4X4 | 4 | B • 3.00 | 10.50 | 90 |
| | HDLB4X6 | 6 | C • 5.00 | 10.50 | 160 |
| | HDLB4X8 | 8 | T • 0.75 | 11.50 | 225 |
| | HDLB4X10 | 10 | H • 1.12 | 12.50 | 300 |
| | HDLB4X12 | 12 | | 13.50 | 375 |
| 5 | HDLB10X3 | 3 | A • 2.00 | 13.50 | 90 |
| | HDLB10X4 | 4 | B • 4.00 | 14.50 | 160 |
| | HDLB10X6 | 6 | C • 7.00 | 15.50 | 275 |
| | HDLB10X8 | 8 | T • 1.00 | 16.50 | 350 |
| | HDLB10X10 | 10 | H • 1.12 | 16.50 | 450 |
| | HDLB10X12 | 12 | | 16.50 | 500 |
| 7-1/2 | HDLB15X3 | 3 | A • 2.00 | 14.50 | 155 |
| | HDLB15X4 | 4 | B • 4.00 | 15.50 | 180 |
| | HDLB15X6 | 6 | C • 7.00 | 16.50 | 330 |
| | HDLB15X8 | 8 | T • 1.25 | 17.50 | 410 |
| | HDLB15X10 | 10 | H • 1.75 | 17.50 | 500 |
| | HDLB15X12 | 12 | | 19.50 | 700 |
| 10 | HDLB20X3 | 3 | A • 2.00 | 15.50 | 150 |
| | HDLB20X4 | 4 | B • 4.00 | 16.50 | 200 |
| | HDLB20X6 | 6 | C • 7.00 | 17.50 | 360 |
| | HDLB20X8 | 8 | T • 1.25 | 19.50 | 500 |
| | HDLB20X10 | 10 | H • 1.75 | 19.50 | 850 |
| | HDLB20X12 | 12 | | 19.50 | 1000 |

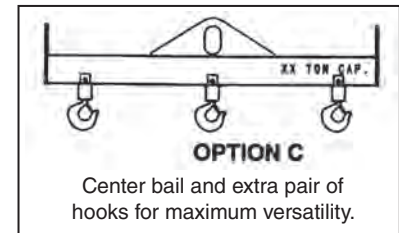
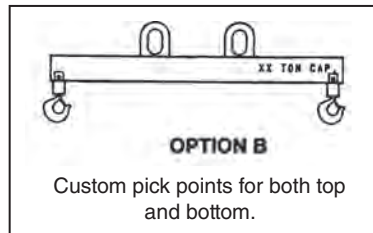
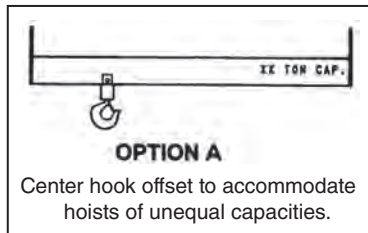
Lifting Devices

TWIN HOIST LIFTING BEAM (THLB25)



Features

- Use two (or more) hoists to increase lifting stability.
- Swivel hook with latch standard.
- Multiple options available.

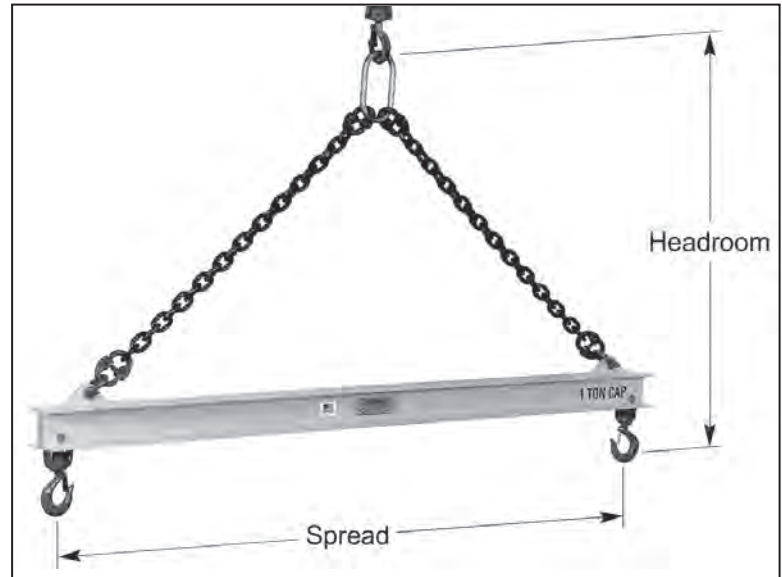


| Rated Capacity (tons) | Part Number | Spread (ft.) | Bail / Hook Dimensions A • B • C • T • H (in.) | Headroom (in.) | Weight (lbs.) |
|-----------------------|-------------|--------------|--|----------------|--|
| 2 | THLB4X6 | 6 | A • 1.50 B • 3.00 C • 5.00 T • 0.63 H • 1.13 | 16.75 | 125 |
| | THLB4X8 | 8 | | 16.75 | 160 |
| | THLB4X10 | 10 | | 17.75 | 240 |
| | THLB4X12 | 12 | | 17.75 | 280 |
| | THLB4X14 | 14 | | 18.75 | 360 |
| | THLB4X16 | 16 | | 18.75 | 400 |
| 4 | THLB8X6 | 6 | A • 1.50 B • 3.00 C • 5.00 T • 0.63 H • 1.50 | 20.00 | 160 |
| | THLB8X8 | 8 | | 21.00 | 240 |
| | THLB8X10 | 10 | | 22.00 | 310 |
| | THLB8X12 | 12 | | 23.00 | 410 |
| | THLB8X14 | 14 | | 23.00 | 500 |
| | THLB8X16 | 16 | | 25.00 | 725 |
| 6 | THLB12X6 | 6 | A • 1.50 B • 3.00 C • 5.00 T • 0.75 H • 2.06 | 27.50 | 220 |
| | THLB12X8 | 8 | | 28.50 | 300 |
| | THLB12X10 | 10 | | 28.50 | 380 |
| | THLB12X12 | 12 | | 30.50 | 550 |
| | THLB12X14 | 14 | | 30.50 | 640 |
| | THLB12X16 | 16 | | 30.50 | 780 |
| 10 | THLB20X6 | 6 | A • 2.00 B • 4.00 C • 7.00 T • 1.00 H • 2.25 | 29.00 | 340 |
| | THLB20X8 | 8 | | 29.00 | 420 |
| | THLB20X10 | 10 | | 32.00 | 800 |
| | THLB20X12 | 12 | | 32.00 | 920 |
| | THLB20X14 | 14 | | 32.00 | 1100 |
| | THLB20X16 | 16 | | 32.00 | 1220 |
| 15 | THLB30X8 | 8 | A • 2.00 B • 4.00 C • 7.00 T • 1.25 H • 2.25 | 38.25 | 740 |
| | THLB30X10 | 10 | | 38.25 | 865 |
| | THLB30X12 | 12 | | 38.25 | 1050 |
| | THLB30X14 | 14 | | 41.25 | 1930 |
| | THLB30X16 | 16 | | 41.25 | 2158 |
| | 20 | THLB40X8 | | 8 | A • 2.00 B • 4.00 C • 7.00 T • 1.25 H • 3.00 |
| THLB40X10 | | 10 | 38.50 | 1130 | |
| THLB40X12 | | 12 | 38.50 | 1266 | |
| THLB40X14 | | 14 | 38.50 | 1926 | |
| THLB40X16 | | 16 | 38.50 | 2196 | |

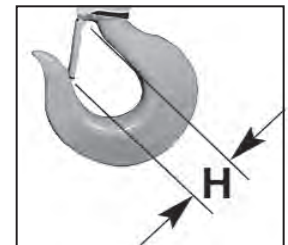
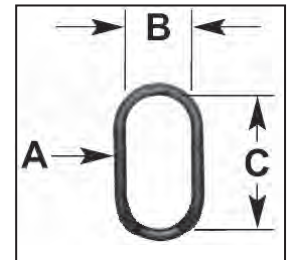
FIXED SPREADER BEAM (FSB30)

Features

- Ideal where headroom is not limited.
- Adds stability to lift.
- Chain rigging standard.
- Wire rope rigging available.
- Adjust-A-Link rigging available for additional flexibility.



| Rated Capacity (tons) | Part Number* | Spread (ft.) | Bail / Hook Dimensions A • B • C • H (in.) | Headroom (in.) | Weight (lbs.) |
|-----------------------|--------------|--------------|--|----------------|------------------|
| | | | | | Includes Rigging |
| 2 | FSB4X4 | 4 | A • 0.50 B • 2.50 C • 5.00 H • 0.97 | 34 | 72 |
| | FSB4X6 | 6 | | 46 | 104 |
| | FSB4X8 | 8 | | 58 | 142 |
| | FSB4X10 | 10 | | 70 | 159 |
| | FSB4X12 | 12 | | 82 | 210 |
| | FSB4X16 | 16 | | 106 | 342 |
| | FSB4X20 | 20 | | 132 | 533 |
| | FSB4X24 | 24 | | 156 | 632 |
| 5 | FSB10X4 | 4 | A • 1.00 B • 3.50 C • 7.00 H • 1.06 | 37 | 94 |
| | FSB10X6 | 6 | | 49 | 128 |
| | FSB10X8 | 8 | | 61 | 170 |
| | FSB10X10 | 10 | | 73 | 198 |
| | FSB10X12 | 12 | | 83 | 272 |
| | FSB10X16 | 16 | | 110 | 435 |
| | FSB10X20 | 20 | | 134 | 587 |
| | FSB10X24 | 24 | | 158 | 858 |
| 10 | FSB20X4 | 4 | A • 1.25 B • 4.38 C • 8.75 H • 1.50 | 41 | 148 |
| | FSB20X6 | 6 | | 53 | 195 |
| | FSB20X8 | 8 | | 64 | 236 |
| | FSB20X10 | 10 | | 77 | 275 |
| | FSB20X12 | 12 | | 86 | 355 |
| | FSB20X16 | 16 | | 113 | 667 |
| | FSB20X20 | 20 | | 138 | 931 |
| | FSB20X24 | 24 | | 163 | 1537 |

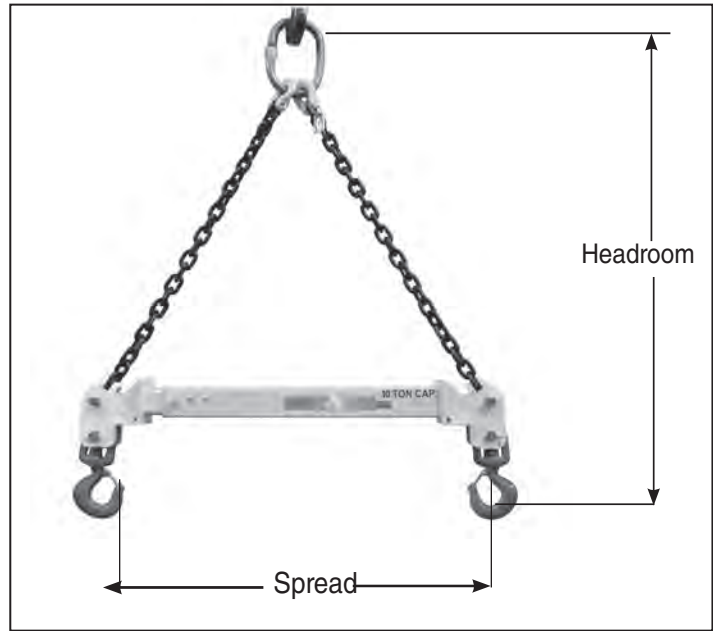
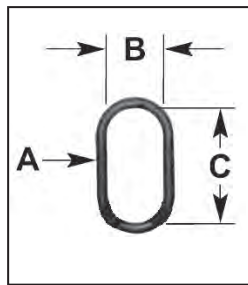
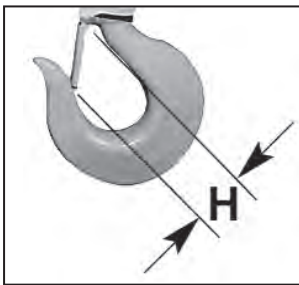


* Add "W" to the part number for wire rope rigging; add "A" to the part number for Adjust-A-Link rigging.

ADJUSTABLE SPREADER BEAM (ASB32)

Features

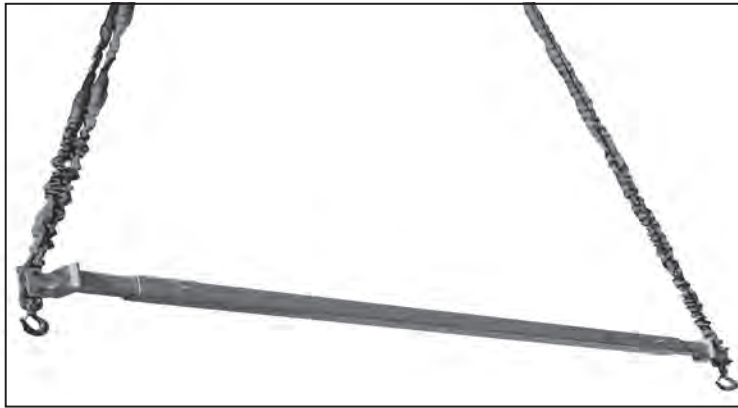
- Great versatility and stability where headroom is not limited.
- Chain rigging standard.
- Wire rope rigging available.
- Telescoping spread adjusts in 1-inch increments.



| Rated Capacity (tons) | Part Number* | Spread (ft.) | Bail / Hook Dimensions A • B • C • H (in.) | Headroom Min / Max (in.) | Weight (lbs.) |
|-----------------------|--------------|--------------|---|--------------------------|------------------|
| | | | | | Includes Rigging |
| 2 | ASB4X4-6 | 4 to 6 | A • 0.50 | 48 min. / 57 max. | 79 |
| | ASB4X6-10 | 6 to 10 | B • 2.36 | 72 min. / 88 max. | 98 |
| | ASB4X8-14 | 8 to 14 | C • 3.94 | 96 min. / 113 max. | 192 |
| | ASB4X12-20 | 12 to 20 | H • 0.97 | 132 min. / 166 max. | 268 |
| 5 | ASB10X4-6 | 4 to 6 | A • 1.00 | 55 min. / 64 max. | 139 |
| | ASB10X6-10 | 6 to 10 | B • 3.94 | 79 min. / 95 max. | 207 |
| | ASB10X8-14 | 8 to 14 | C • 7.09 | 102 min. / 126 max. | 266 |
| | ASB10X12-20 | 12 to 20 | H • 1.41 | 138 min. / 172 max. | 752 |
| 10 | ASB20X4-6 | 4 to 6 | A • 1.25 | 60 min. / 69 max. | 179 |
| | ASB20X6-10 | 6 to 10 | B • 5.51 | 74 min. / 111 max. | 244 |
| | ASB20X8-14 | 8 to 14 | C • 10.63 | 108 min. / 132 max. | 548 |
| | ASB20X12-20 | 12 to 20 | H • 1.78 | 144 min. / 163 max. | 798 |
| 15 | ASB30X4-6 | 4 to 6 | A • 1.50 | 64 min. / 72 max. | 243 |
| | ASB30X6-10 | 6 to 10 | B • 5.25 | 87 min. / 104 max. | 476 |
| | ASB30X8-14 | 8 to 14 | C • 10.5 | 111 min. / 135 max. | 623 |
| | ASB30X12-20 | 12 to 20 | H • 2.22 | 147 min. / 180 max. | 894 |

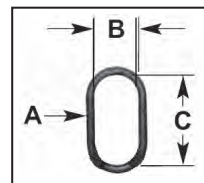
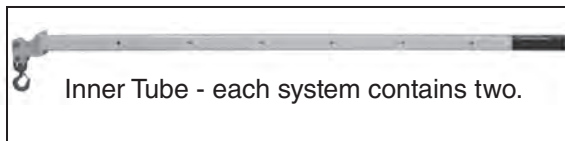
* Add "W" to part number for wire rope rigging.

MODULAR SPREADER BEAM (MSB14)

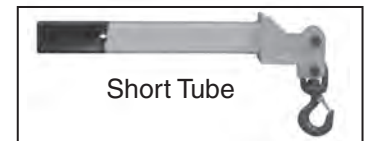


Features

- Designed to accommodate spreads from 10' to 22'.
- 1-Ton and 2-Ton capacities.
- Lightweight.
- Faspin with lanyard allows for quick adjustment of spread in 1' increments.
- Hair pin cotter to rigging attachment.
- Designed and manufactured to ASME standards.
- Roundslings available for top rigging.



Lifting Eye Dimensions



| Rated Capacity (tons) | Part Number | Spread Min/Max (ft.) | Headroom at Minimum Spread (in.) | Headroom at Maximum Spread (in.) | A | B | C | Hook Opening w/Latch (in.) | Weight (lbs.) |
|-----------------------|-------------|----------------------|----------------------------------|----------------------------------|------|-----|---|----------------------------|---------------|
| 1 | MSB2 | 10 min. / 22 max. | 135.6 | 150.7 | 0.50 | 2.5 | 5 | 0.97 | 195 |
| 2 | MSB4 | 10 min. / 22 max. | 135.6 | 150.7 | 0.75 | 3.0 | 6 | 0.97 | 275 |

Recommended Options Top Rigging



Top Rigging - Add "R" to part number

Two each: 2-Leg *Tuflex* roundslings per beam
Minimum rigging angle 45°

| Spreader Part Number | For Spreader Lengths | Rigging Part Number |
|----------------------|----------------------|---------------------|
| MSB2 | 10' - 16' | DOEN30 X 11'-6" |
| | 16' - 22' | DOEN30 X 16'-0" |
| MSB4 | 10' - 16' | DOEN60 X 11'-6" |
| | 16' - 22' | DOEN60 X 16'-0" |