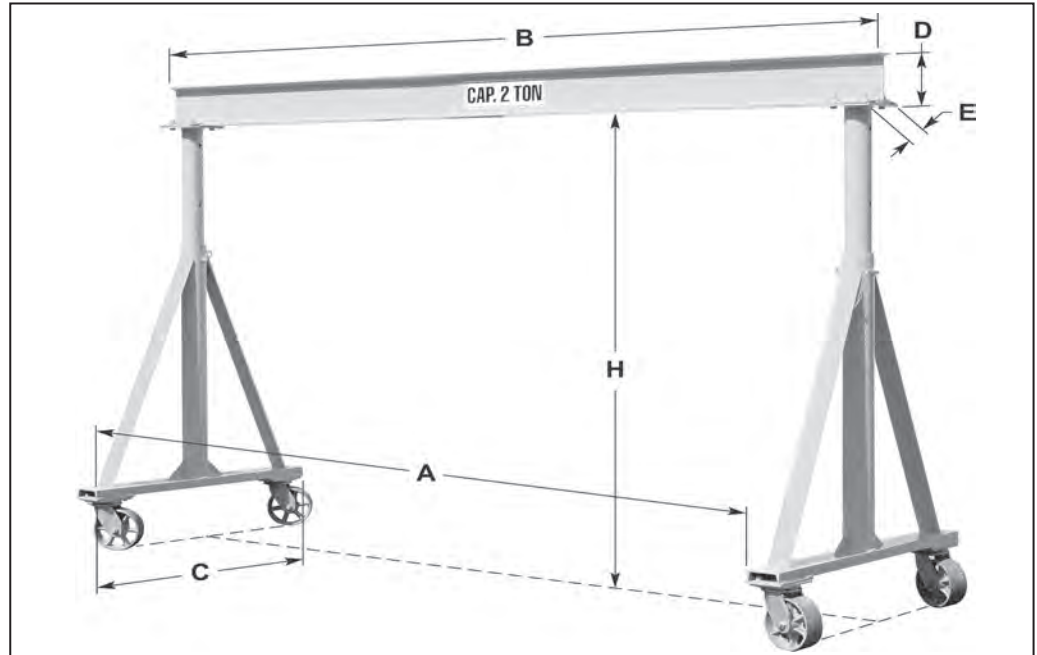


FIXED HEIGHT STEEL (H90)

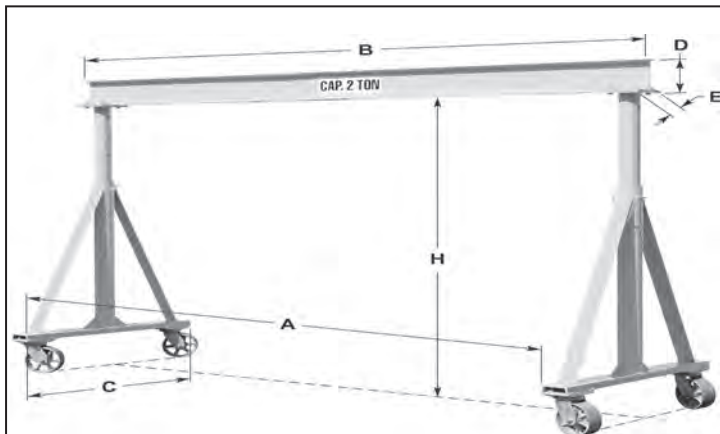
Features

- Balanced design allows for easy rolling, even under load.
- Simple bolt together construction.
- Includes four steel swivel casters.
- Easy set-up and maintenance.
- Adjustable span from 10' to 16'.



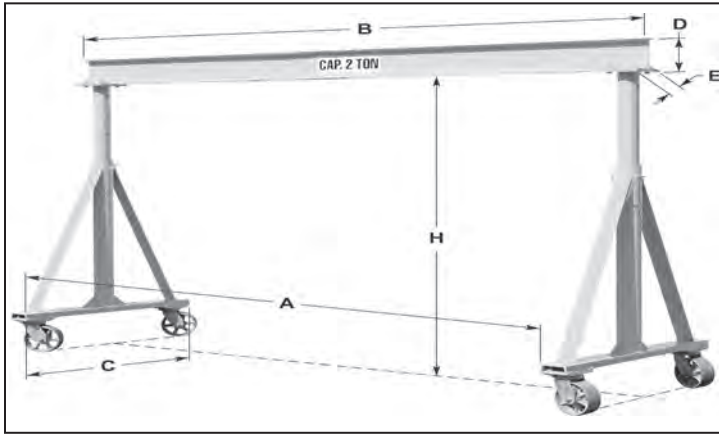
| Rated Capacity | Height Under Beam H | Nominal Span (ft.) | Inside Span A | Overall Length B | Support Width C | Beam Height D (in.) | Flange Width E (in.) | Caster Diameter (in.) | Weight (lbs.) | Part Number |
|----------------|---------------------|--------------------|---------------|------------------|-----------------|---------------------|----------------------|-----------------------|---------------|-------------|
| 1-Ton | 10' | 10 | 10'-4" | 11'-6" | 5'-6" | 6 | 3.33 | 6 | 825 | H90-1-10/10 |
| | | 12 | 12'-4" | 13'-6" | 5'-6" | 8 | 4.00 | 6 | 930 | H90-1-10/12 |
| | | 14 | 14'-4" | 15'-6" | 5'-6" | 8 | 4.00 | 6 | 967 | H90-1-10/14 |
| | | 16 | 16'-4" | 17'-6" | 5'-6" | 6 | 4.66 | 6 | 1136 | H90-1-10/16 |
| | 12 | 10 | 10'-4" | 11'-6" | 6'-6" | 6 | 3.33 | 6 | 913 | H90-1-12/10 |
| | | 12 | 12'-4" | 13'-6" | 6'-6" | 8 | 4.00 | 6 | 1018 | H90-1-12/12 |
| | | 14 | 14'-4" | 15'-6" | 6'-6" | 8 | 4.00 | 6 | 1055 | H90-1-12/14 |
| | | 16 | 16'-4" | 17'-6" | 6'-6" | 10 | 4.66 | 6 | 1224 | H90-1-12/16 |
| | 14' | 10 | 10'-4" | 11'-6" | 7'-6" | 6 | 3.33 | 6 | 977 | H90-1-14/10 |
| | | 12 | 12'-4" | 13'-6" | 7'-6" | 8 | 4.00 | 6 | 1082 | H90-1-14/12 |
| | | 14 | 14'-4" | 15'-6" | 7'-6" | 8 | 4.00 | 6 | 1119 | H90-1-14/14 |
| | | 16 | 16'-4" | 17'-6" | 7'-6" | 10 | 4.66 | 6 | 1288 | H90-1-14/16 |
| | 16' | 10 | 10'-4" | 11'-6" | 7'-6" | 6 | 3.33 | 6 | 1081 | H90-1-16/10 |
| | | 12 | 12'-4" | 13'-6" | 7'-6" | 8 | 4.00 | 6 | 1186 | H90-1-16/12 |
| | | 14 | 14'-4" | 15'-6" | 7'-6" | 8 | 4.00 | 6 | 1223 | H90-1-16/14 |
| | | 16 | 16'-4" | 17'-6" | 7'-6" | 10 | 4.66 | 6 | 1392 | H90-1-16/16 |

Gantry Cranes



FIXED HEIGHT STEEL H90 (continued)

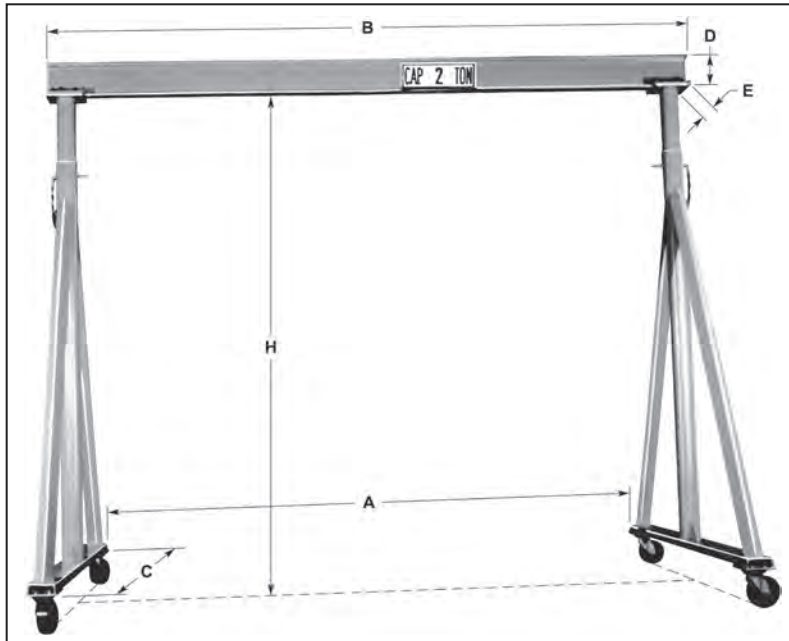
| Rated Capacity | Height Under Beam H | Nominal Span (ft.) | Inside Span A | Overall Length B | Support Width C | Beam Height D (in.) | Flange Width E (in.) | Caster Diameter (in.) | Weight (lbs.) | Part Number |
|----------------|---------------------|--------------------|---------------|------------------|-----------------|---------------------|----------------------|-----------------------|---------------|-------------|
| 2-Ton | 10' | 10 | 10'-4" | 11'-6" | 5'-6" | 8 | 4.00 | 8 | 949 | H90-2-10/10 |
| | | 12 | 12'-4" | 13'-6" | 5'-6" | 8 | 4.00 | 8 | 986 | H90-2-10/12 |
| | | 14 | 14'-4" | 15'-6" | 5'-6" | 10 | 4.66 | 8 | 1131 | H90-2-10/14 |
| | | 16 | 16'-4" | 17'-6" | 5'-6" | 10 | 4.66 | 8 | 1182 | H90-2-10/16 |
| | 12' | 10 | 10'-4" | 11'-6" | 6'-6" | 8 | 4.00 | 8 | 1041 | H90-2-12/10 |
| | | 12 | 12'-4" | 13'-6" | 6'-6" | 8 | 4.00 | 8 | 1078 | H90-2-12/12 |
| | | 14 | 14'-4" | 15'-6" | 6'-6" | 10 | 4.66 | 8 | 1223 | H90-2-12/14 |
| | | 16 | 16'-4" | 17'-6" | 6'-6" | 10 | 4.66 | 8 | 1274 | H90-2-12/16 |
| | 14' | 10 | 10'-4" | 11'-6" | 7'-6" | 8 | 4.00 | 8 | 1101 | H90-2-14/10 |
| | | 12 | 12'-4" | 13'-6" | 7'-6" | 8 | 4.00 | 8 | 1138 | H90-2-14/12 |
| | | 14 | 14'-4" | 15'-6" | 7'-6" | 10 | 4.66 | 8 | 1283 | H90-2-14/14 |
| | | 16 | 16'-4" | 17'-6" | 7'-6" | 10 | 4.66 | 8 | 1334 | H90-2-14/16 |
| | 16' | 10 | 10'-4" | 11'-6" | 7'-6" | 8 | 4.00 | 8 | 1205 | H90-2-16/10 |
| | | 12 | 12'-4" | 13'-6" | 7'-6" | 8 | 4.00 | 8 | 1242 | H90-2-16/12 |
| | | 14 | 14'-4" | 15'-6" | 7'-6" | 10 | 4.66 | 8 | 1387 | H90-2-16/14 |
| | | 16 | 16'-4" | 17'-6" | 7'-6" | 10 | 4.66 | 8 | 1438 | H90-2-16/16 |
| 3-Ton | 10' | 10 | 9'-3" | 11'-6" | 5'-6" | 10 | 4.66 | 8 | 1107 | H90-3-10/10 |
| | | 12 | 11'-3" | 13'-6" | 5'-6" | 10 | 4.66 | 8 | 1157 | H90-3-10/12 |
| | | 14 | 13'-3" | 15'-6" | 5'-6" | 10 | 4.66 | 8 | 1208 | H90-3-10/14 |
| | | 16 | 15'-3" | 17'-6" | 5'-6" | 12 | 5.00 | 8 | 1427 | H90-3-10/16 |
| | 12' | 10 | 9'-3" | 11'-6" | 6'-6" | 10 | 4.66 | 8 | 1229 | H90-3-12/10 |
| | | 12 | 11'-3" | 13'-6" | 6'-6" | 10 | 4.66 | 8 | 1279 | H90-3-12/12 |
| | | 14 | 13'-3" | 15'-6" | 6'-6" | 10 | 4.66 | 8 | 1330 | H90-3-12/14 |
| | | 16 | 15'-3" | 17'-6" | 6'-6" | 12 | 5.00 | 8 | 1529 | H90-3-12/16 |
| | 14' | 10 | 9'-3" | 11'-6" | 7'-6" | 10 | 4.66 | 8 | 1350 | H90-3-14/10 |
| | | 12 | 11'-3" | 13'-6" | 7'-6" | 10 | 4.66 | 8 | 1400 | H90-3-14/12 |
| | | 14 | 13'-3" | 15'-6" | 7'-6" | 10 | 4.66 | 8 | 1451 | H90-3-14/14 |
| | | 16 | 15'-3" | 17'-6" | 7'-6" | 12 | 5.00 | 8 | 1670 | H90-3-14/16 |
| | 16' | 10 | 9'-3" | 11'-6" | 7'-6" | 10 | 4.66 | 8 | 1473 | H90-3-16/10 |
| | | 12 | 11'-3" | 13'-6" | 7'-6" | 10 | 4.66 | 8 | 1523 | H90-3-16/12 |
| | | 14 | 13'-3" | 15'-6" | 7'-6" | 10 | 4.66 | 8 | 1574 | H90-3-16/14 |
| | | 16 | 15'-3" | 17'-6" | 7'-6" | 12 | 5.00 | 8 | 1793 | H90-3-16/16 |



FIXED HEIGHT STEEL H90 (continued)

| Rated Capacity | Height Under Beam H | Nominal Span (ft.) | Inside Span A | Overall Length B | Support Width C | Beam Height D (in.) | Flange Width E (in.) | Caster Diameter (in.) | Weight (lbs.) | Part Number |
|----------------|---------------------|--------------------|---------------|------------------|-----------------|---------------------|----------------------|-----------------------|---------------|-------------|
| 4-Ton | 10' | 10 | 9'-3" | 11'-6" | 5'-6" | 10 | 5.5 | 8 | 1217 | H90-4-10/10 |
| | | 12 | 11'-3" | 13'-6" | 5'-6" | 12 | 5.5 | 8 | 1877 | H90-4-10/12 |
| | | 14 | 13'-3" | 15'-6" | 5'-6" | 12 | 5.5 | 8 | 1357 | H90-4-10/14 |
| | | 16 | 15'-3" | 17'-6" | 5'-6" | 15 | 5.5 | 8 | 1812 | H90-4-10/16 |
| | 12' | 10 | 9'-3" | 11'-6" | 6'-6" | 10 | 5.5 | 8 | 1339 | H90-4-12/10 |
| | | 12 | 11'-3" | 13'-6" | 6'-6" | 12 | 5.5 | 8 | 1409 | H90-4-12/12 |
| | | 14 | 13'-3" | 15'-6" | 6'-6" | 12 | 5.5 | 8 | 1479 | H90-4-12/14 |
| | | 16 | 15'-3" | 17'-6" | 6'-6" | 15 | 5.5 | 8 | 1934 | H90-4-12/16 |
| | 14' | 10 | 9'-3" | 11'-6" | 7'-6" | 10 | 5.5 | 8 | 1460 | H90-4-14/10 |
| | | 12 | 11'-3" | 13'-6" | 7'-6" | 12 | 5.5 | 8 | 1530 | H90-4-14/12 |
| | | 14 | 13'-3" | 15'-6" | 7'-6" | 12 | 5.5 | 8 | 1600 | H90-4-14/14 |
| | | 16 | 15'-3" | 17'-6" | 7'-6" | 15 | 5.5 | 8 | 2055 | H90-4-14/16 |
| | 16' | 10 | 9'-3" | 11'-6" | 7'-6" | 10 | 5.5 | 8 | 1583 | H90-4-16/10 |
| | | 12 | 11'-3" | 13'-6" | 7'-6" | 12 | 5.5 | 8 | 1653 | H90-4-16/12 |
| | | 14 | 13'-3" | 15'-6" | 7'-6" | 12 | 5.5 | 8 | 1723 | H90-4-16/14 |
| | | 16 | 15'-3" | 17'-6" | 7'-6" | 15 | 5.5 | 8 | 2178 | H90-4-16/16 |
| 5-Ton | 10' | 10 | 9'-3" | 11'-6" | 5'-6" | 12 | 5.0 | 8 | 1397 | H90-5-10/10 |
| | | 12 | 11'-3" | 13'-6" | 5'-6" | 12 | 5.0 | 8 | 1467 | H90-5-10/12 |
| | | 14 | 13'-3" | 15'-6" | 5'-6" | 15 | 5.5 | 8 | 1537 | H90-5-10/14 |
| | | 16 | 15'-3" | 17'-6" | 5'-6" | 15 | 5.5 | 8 | 1992 | H90-5-10/16 |
| | 12' | 10 | 9'-3" | 11'-6" | 6'-6" | 12 | 5.0 | 8 | 1519 | H90-5-12/10 |
| | | 12 | 11'-3" | 13'-6" | 6'-6" | 12 | 5.0 | 8 | 1589 | H90-5-12/12 |
| | | 14 | 13'-3" | 15'-6" | 6'-6" | 15 | 5.5 | 8 | 1659 | H90-5-12/14 |
| | | 16 | 15'-3" | 17'-6" | 6'-6" | 15 | 5.5 | 8 | 2114 | H90-5-12/16 |
| | 14' | 10 | 9'-3" | 11'-6" | 7'-6" | 12 | 5.0 | 8 | 1640 | H90-5-14/10 |
| | | 12 | 11'-3" | 13'-6" | 7'-6" | 12 | 5.0 | 8 | 1710 | H90-5-14/12 |
| | | 14 | 13'-3" | 15'-6" | 7'-6" | 15 | 5.5 | 8 | 1780 | H90-5-14/14 |
| | | 16 | 15'-3" | 17'-6" | 7'-6" | 15 | 5.5 | 8 | 2235 | H90-5-14/16 |
| | 16' | 10 | 9'-3" | 11'-6" | 7'-6" | 12 | 5.0 | 8 | 1763 | H90-5-16/10 |
| | | 12 | 11'-3" | 13'-6" | 7'-6" | 12 | 5.0 | 8 | 1833 | H90-5-16/12 |
| | | 14 | 13'-3" | 15'-6" | 7'-6" | 15 | 5.5 | 8 | 1903 | H90-5-16/14 |
| | | 16 | 15'-3" | 17'-6" | 7'-6" | 15 | 5.5 | 8 | 2358 | H90-5-16/16 |

ADJUSTABLE HEIGHT STEEL (K90)

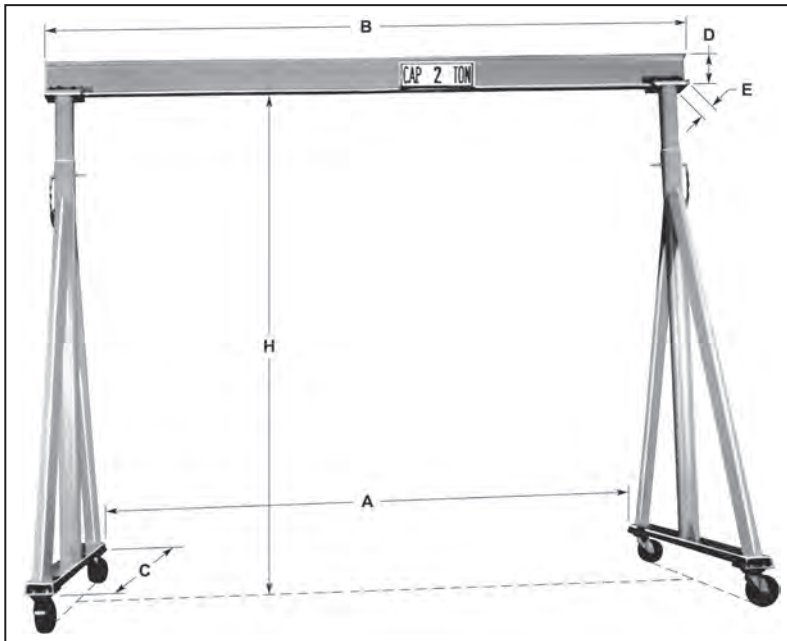


Features

- Balanced design allows for easy rolling, even under load.
- Simple bolt together construction.
- Includes four steel swivel casters.
- Easy set-up and maintenance.
- Height adjustable down from maximum in one foot increments.
- Adjustable span standard.

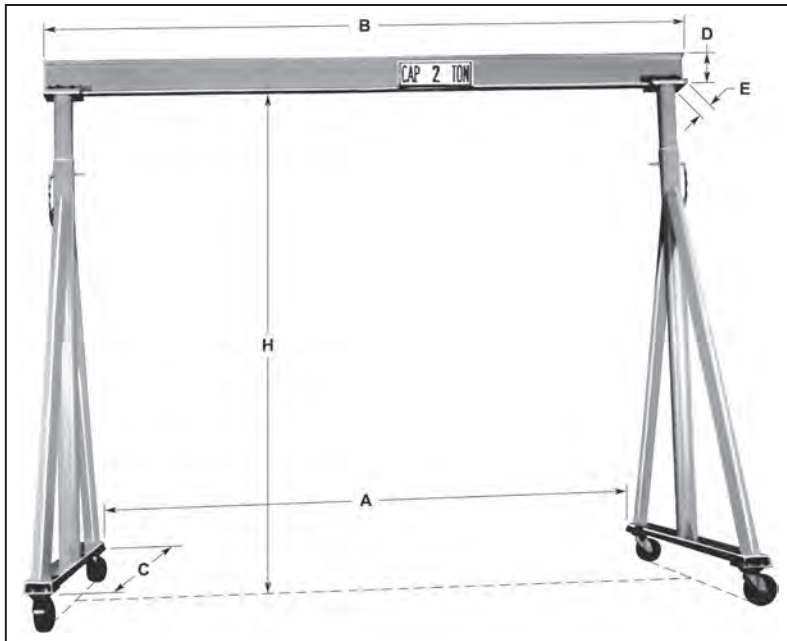
| Rated Capacity | Max. Height Under Beam H | Nominal Span (ft.) | Inside Span A | Overall Length B | Support Width C | Beam Height D (in.) | Flange Width E (in.) | Caster Diameter (in.) | Min. Height Under Beam H (ft.) | Weight (lbs.) | Part Number |
|----------------|--------------------------|--------------------|---------------|------------------|-----------------|---------------------|----------------------|-----------------------|--------------------------------|---------------|-------------|
| 1-Ton | 7' | 10 | 10'-5" | 11'-6" | 4'-0" | 6 | 3.33 | 6 | 5'-0" | 550 | K90-1-7/10 |
| | | 12 | 12'-5" | 13'-6" | 4'-0" | 8 | 4.00 | 6 | 5'-0" | 650 | K90-1-7/12 |
| | | 14 | 14'-5" | 15'-6" | 4'-0" | 8 | 4.00 | 6 | 5'-0" | 675 | K90-1-7/14 |
| | | 16 | 16'-5" | 17'-6" | 4'-0" | 10 | 4.70 | 6 | 5'-0" | 850 | K90-1-7/16 |
| | 9' | 10 | 10'-5" | 11'-6" | 5'-0" | 6 | 3.33 | 6 | 6'-0" | 625 | K90-1-9/10 |
| | | 12 | 12'-5" | 13'-6" | 5'-0" | 8 | 4.00 | 6 | 6'-0" | 725 | K90-1-9/12 |
| | | 14 | 14'-5" | 15'-6" | 5'-0" | 8 | 4.00 | 6 | 6'-0" | 750 | K90-1-9/14 |
| | | 16 | 16'-5" | 17'-6" | 5'-0" | 10 | 4.70 | 6 | 6'-0" | 925 | K90-1-9/16 |
| | 10' | 10 | 10'-5" | 11'-6" | 5'-6" | 6 | 3.33 | 6 | 7'-0" | 650 | K90-1-10/10 |
| | | 12 | 12'-5" | 13'-6" | 5'-6" | 8 | 4.00 | 6 | 7'-0" | 750 | K90-1-10/12 |
| | | 14 | 14'-5" | 15'-6" | 5'-6" | 8 | 4.00 | 6 | 7'-0" | 800 | K90-1-10/14 |
| | | 16 | 16'-5" | 17'-6" | 5'-6" | 10 | 4.70 | 6 | 7'-0" | 950 | K90-1-10/16 |
| | 12' | 10 | 10'-5" | 11'-6" | 6'-6" | 6 | 3.33 | 6 | 8'-0" | 750 | K90-1-12/10 |
| | | 12 | 12'-5" | 13'-6" | 6'-6" | 8 | 4.00 | 6 | 8'-0" | 850 | K90-1-12/12 |
| | | 14 | 14'-5" | 15'-6" | 6'-6" | 8 | 4.00 | 6 | 8'-0" | 900 | K90-1-12/14 |
| | | 16 | 16'-5" | 17'-6" | 6'-6" | 10 | 4.70 | 6 | 8'-0" | 1050 | K90-1-12/16 |
| | 14' | 10 | 10'-5" | 11'-6" | 7'-6" | 6 | 3.33 | 6 | 9'-0" | 800 | K90-1-14/10 |
| | | 12 | 12'-5" | 13'-6" | 7'-6" | 8 | 4.00 | 6 | 9'-0" | 900 | K90-1-14/12 |
| | | 14 | 14'-5" | 15'-6" | 7'-6" | 8 | 4.00 | 6 | 9'-0" | 950 | K90-1-14/14 |
| | | 16 | 16'-5" | 17'-6" | 7'-6" | 10 | 4.70 | 6 | 9'-0" | 1100 | K90-1-14/16 |
| | 16' | 10 | 10'-5" | 11'-6" | 7'-6" | 6 | 3.33 | 6 | 10'-0" | 850 | K90-1-16/10 |
| | | 12 | 12'-5" | 13'-6" | 7'-6" | 8 | 4.00 | 6 | 10'-0" | 950 | K90-1-16/12 |
| | | 14 | 14'-5" | 15'-6" | 7'-6" | 8 | 4.00 | 6 | 10'-0" | 1000 | K90-1-16/14 |
| | | 16 | 16'-5" | 17'-6" | 7'-6" | 10 | 4.70 | 6 | 10'-0" | 1150 | K90-1-16/16 |

ADJUSTABLE HEIGHT STEEL (K90) (continued)



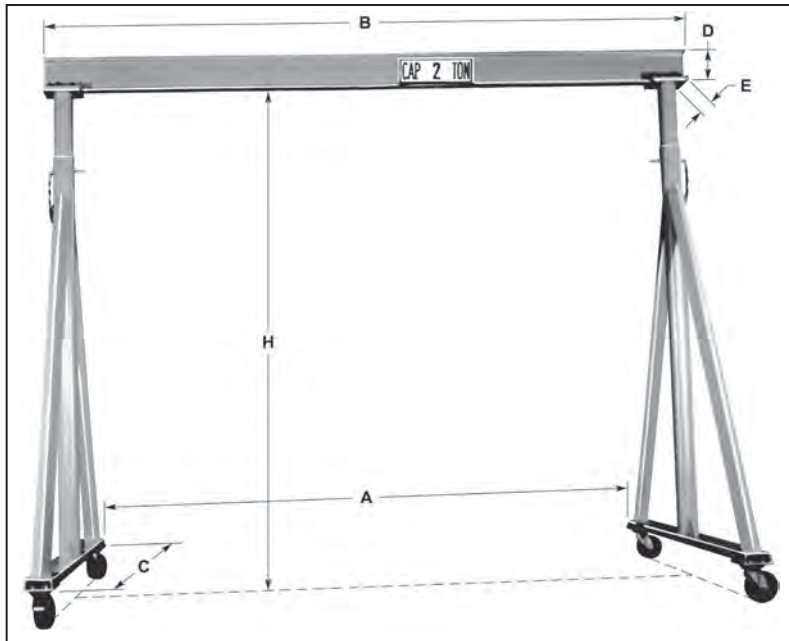
| Rated Capacity | Max. Height Under Beam H | Nominal Span (ft.) | Inside Span A | Overall Length B | Support Width C | Beam Height D (in.) | Flange Width E (in.) | Caster Diameter (in.) | Min. Height Under Beam H (ft.) | Weight (lbs.) | Part Number |
|----------------|--------------------------|--------------------|---------------|------------------|-----------------|---------------------|----------------------|-----------------------|--------------------------------|---------------|--------------------|
| 2-Ton | 7' | 10 | 10'-5" | 11'-6" | 4'-0" | 8 | 4.00 | 8 | 5'-2" | 675 | K90-2-7/10 |
| | | 12 | 12'-5" | 13'-6" | 4'-0" | 8 | 4.00 | 8 | 5'-2" | 700 | K90-2-7/12 |
| | | 14 | 14'-5" | 15'-6" | 4'-0" | 10 | 4.70 | 8 | 5'-2" | 850 | K90-2-7/14 |
| | | 16 | 16'-5" | 17'-6" | 4'-0" | 10 | 4.70 | 8 | 5'-2" | 900 | K90-2-7/16 |
| | 9' | 10 | 10'-5" | 11'-6" | 5'-0" | 8 | 4.00 | 8 | 6'-2" | 750 | K90-2-9/10 |
| | | 12 | 12'-5" | 13'-6" | 5'-0" | 8 | 4.00 | 8 | 6'-2" | 800 | K90-2-9/12 |
| | | 14 | 14'-5" | 15'-6" | 5'-0" | 10 | 4.70 | 8 | 6'-2" | 925 | K90-2-9/14 |
| | | 16 | 16'-5" | 17'-6" | 5'-0" | 10 | 4.70 | 8 | 6'-2" | 975 | K90-2-9/16 |
| | 10' | 10 | 10'-5" | 11'-6" | 5'-6" | 8 | 4.00 | 8 | 7'-2" | 775 | K90-2-10/10 |
| | | 12 | 12'-5" | 13'-6" | 5'-6" | 8 | 4.00 | 8 | 7'-2" | 825 | K90-2-10/12 |
| | | 14 | 14'-5" | 15'-6" | 5'-6" | 10 | 4.70 | 8 | 7'-2" | 975 | K90-2-10/14 |
| | | 16 | 16'-5" | 17'-6" | 5'-6" | 10 | 4.70 | 8 | 7'-2" | 1025 | K90-2-10/16 |
| | 12' | 10 | 10'-5" | 11'-6" | 6'-6" | 8 | 4.00 | 8 | 8'-2" | 875 | K90-2-12/10 |
| | | 12 | 12'-5" | 13'-6" | 6'-6" | 8 | 4.00 | 8 | 8'-2" | 900 | K90-2-12/12 |
| | | 14 | 14'-5" | 15'-6" | 6'-6" | 10 | 4.70 | 8 | 8'-2" | 1050 | K90-2-12/14 |
| | | 16 | 16'-5" | 17'-6" | 6'-6" | 10 | 4.70 | 8 | 8'-2" | 1100 | K90-2-12/16 |
| | 14' | 10 | 10'-5" | 11'-6" | 7'-6" | 8 | 4.00 | 8 | 9'-2" | 950 | K90-2-14/10 |
| | | 12 | 12'-5" | 13'-6" | 7'-6" | 8 | 4.00 | 8 | 9'-2" | 975 | K90-2-14/12 |
| | | 14 | 14'-5" | 15'-6" | 7'-6" | 10 | 4.70 | 8 | 9'-2" | 1125 | K90-2-14/14 |
| | | 16 | 16'-5" | 17'-6" | 7'-6" | 10 | 4.70 | 8 | 9'-2" | 1175 | K90-2-14/16 |
| | 16' | 10 | 10'-5" | 11'-6" | 7'-6" | 8 | 4.00 | 8 | 10'-2" | 1000 | K90-2-16/10 |
| | | 12 | 12'-5" | 13'-6" | 7'-6" | 8 | 4.00 | 8 | 10'-2" | 1025 | K90-2-16/12 |
| | | 14 | 14'-5" | 15'-6" | 7'-6" | 10 | 4.70 | 8 | 10'-2" | 1175 | K90-2-16/14 |
| | | 16 | 16'-5" | 17'-6" | 7'-6" | 10 | 4.70 | 8 | 10'-2" | 1225 | K90-2-16/16 |

ADJUSTABLE HEIGHT STEEL (K90) (continued)



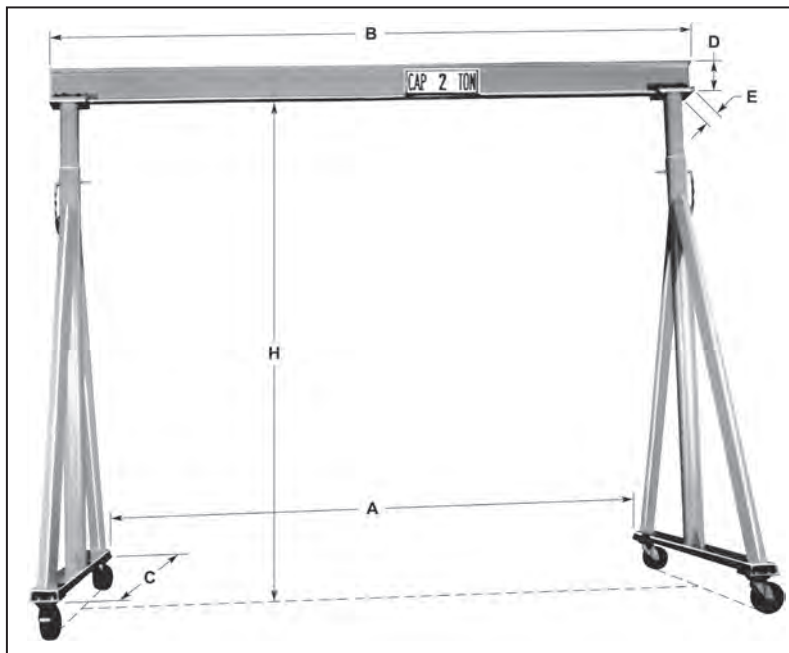
| Rated Capacity | Max. Height Under Beam H | Nominal Span (ft.) | Inside Span A | Overall Length B | Support Width C | Beam Height D (in.) | Flange Width E (in.) | Caster Diameter (in.) | Min. Height Under Beam H (ft.) | Weight (lbs.) | Part Number |
|----------------|--------------------------|--------------------|---------------|------------------|-----------------|---------------------|----------------------|-----------------------|--------------------------------|---------------|-------------|
| 3-Ton | 7' | 10 | 9'-5" | 11'-6" | 4'-0" | 10 | 4.70 | 8 | 5'-0" | 1000 | K90-3-7/10 |
| | | 12 | 11'-5" | 13'-6" | 4'-0" | 10 | 4.70 | 8 | 5'-0" | 1050 | K90-3-7/12 |
| | | 14 | 13'-5" | 15'-6" | 4'-0" | 10 | 4.70 | 8 | 5'-0" | 1100 | K90-3-7/14 |
| | | 16 | 15'-5" | 17'-6" | 4'-0" | 12 | 5.00 | 8 | 5'-0" | 1250 | K90-3-7/16 |
| | 9' | 10 | 9'-5" | 11'-6" | 5'-0" | 10 | 4.70 | 8 | 6'-0" | 1100 | K90-3-9/10 |
| | | 12 | 11'-5" | 13'-6" | 5'-0" | 10 | 4.70 | 8 | 6'-0" | 1175 | K90-3-9/12 |
| | | 14 | 13'-5" | 15'-6" | 5'-0" | 10 | 4.70 | 8 | 6'-0" | 1225 | K90-3-9/14 |
| | | 16 | 15'-5" | 17'-6" | 5'-0" | 12 | 5.00 | 8 | 6'-0" | 1375 | K90-3-9/16 |
| | 10' | 10 | 9'-5" | 11'-6" | 5'-6" | 10 | 4.70 | 8 | 7'-0" | 1175 | K90-3-10/10 |
| | | 12 | 11'-5" | 13'-6" | 5'-6" | 10 | 4.70 | 8 | 7'-0" | 1200 | K90-3-10/12 |
| | | 14 | 13'-5" | 15'-6" | 5'-6" | 10 | 4.70 | 8 | 7'-0" | 1275 | K90-3-10/14 |
| | | 16 | 15'-5" | 17'-6" | 5'-6" | 12 | 5.00 | 8 | 7'-0" | 1425 | K90-3-10/16 |
| | 12' | 10 | 9'-5" | 11'-6" | 6'-6" | 10 | 4.70 | 8 | 8'-0" | 1300 | K90-3-12/10 |
| | | 12 | 11'-5" | 13'-6" | 6'-6" | 10 | 4.70 | 8 | 8'-0" | 1375 | K90-3-12/12 |
| | | 14 | 13'-5" | 15'-6" | 6'-6" | 10 | 4.70 | 8 | 8'-0" | 1400 | K90-3-12/14 |
| | | 16 | 15'-5" | 17'-6" | 6'-6" | 12 | 5.00 | 8 | 8'-0" | 1575 | K90-3-12/16 |
| | 14' | 10 | 9'-5" | 11'-6" | 7'-6" | 10 | 4.70 | 8 | 9'-0" | 1400 | K90-3-14/10 |
| | | 12 | 11'-5" | 13'-6" | 7'-6" | 10 | 4.70 | 8 | 9'-0" | 1475 | K90-3-14/12 |
| | | 14 | 13'-5" | 15'-6" | 7'-6" | 10 | 4.70 | 8 | 9'-0" | 1525 | K90-3-14/14 |
| | | 16 | 15'-5" | 17'-6" | 7'-6" | 12 | 5.00 | 8 | 9'-0" | 1675 | K90-3-14/16 |
| | 16' | 10 | 9'-5" | 11'-6" | 7'-6" | 10 | 4.70 | 8 | 10'-0" | 1500 | K90-3-16/10 |
| | | 12 | 11'-5" | 13'-6" | 7'-6" | 10 | 4.70 | 8 | 10'-0" | 1550 | K90-3-16/12 |
| | | 14 | 13'-5" | 15'-6" | 7'-6" | 10 | 4.70 | 8 | 10'-0" | 1600 | K90-3-16/14 |
| | | 16 | 15'-5" | 17'-6" | 7'-6" | 12 | 5.00 | 8 | 10'-0" | 1750 | K90-3-16/16 |

ADJUSTABLE HEIGHT STEEL (K90) (continued)



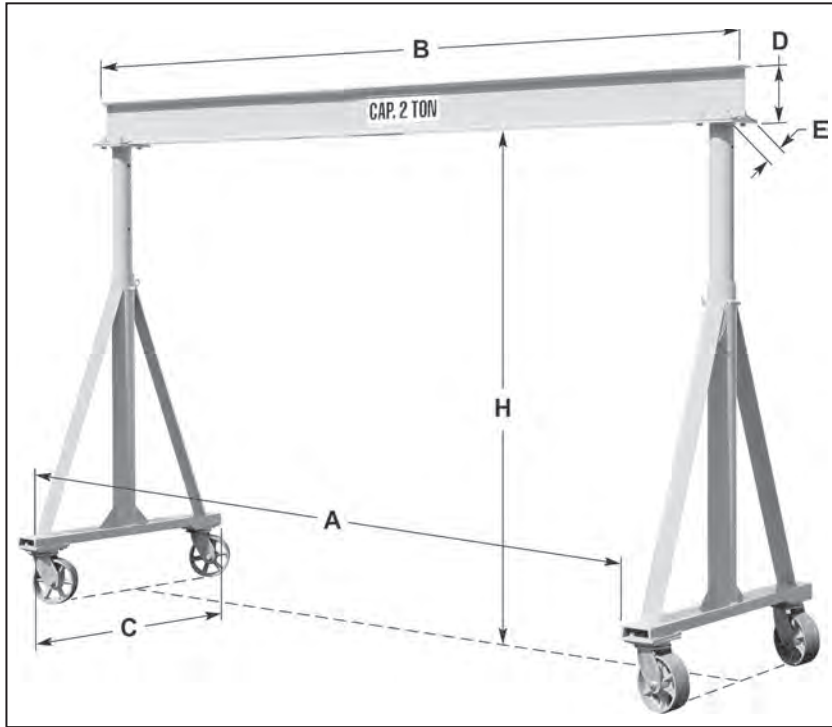
| Rated Capacity | Max. Height Under Beam H | Nominal Span (ft.) | Inside Span A | Overall Length B | Support Width C | Beam Height D (in.) | Flange Width E (in.) | Caster Diameter (in.) | Min. Height Under Beam H (ft.) | Weight (lbs.) | Part Number |
|----------------|--------------------------|--------------------|---------------|------------------|-----------------|---------------------|----------------------|-----------------------|--------------------------------|---------------|--------------------|
| 4-Ton | 7' | 10 | 9'-5" | 11'-6" | 4'-0" | 10 | 4.70 | 8 | 5'-0" | 975 | K90-4-7/10 |
| | | 12 | 11'-5" | 13'-6" | 4'-0" | 12 | 5.00 | 8 | 5'-0" | 1125 | K90-4-7/12 |
| | | 14 | 13'-5" | 15'-6" | 4'-0" | 12 | 5.00 | 8 | 5'-0" | 1200 | K90-4-7/14 |
| | | 16 | 15'-5" | 17'-6" | 4'-0" | 15 | 5.50 | 8 | 5'-0" | 1450 | K90-4-7/16 |
| | 9' | 10 | 9'-5" | 11'-6" | 5'-0" | 10 | 4.70 | 8 | 6'-0" | 1125 | K90-4-9/10 |
| | | 12 | 11'-5" | 13'-6" | 5'-0" | 12 | 5.00 | 8 | 6'-0" | 1250 | K90-4-9/12 |
| | | 14 | 13'-5" | 15'-6" | 5'-0" | 12 | 5.00 | 8 | 6'-0" | 1325 | K90-4-9/14 |
| | | 16 | 15'-5" | 17'-6" | 5'-0" | 15 | 5.50 | 8 | 6'-0" | 1575 | K90-4-9/16 |
| | 10' | 10 | 9'-5" | 11'-6" | 5'-6" | 10 | 4.70 | 8 | 7'-0" | 1175 | K90-4-10/10 |
| | | 12 | 11'-5" | 13'-6" | 5'-6" | 12 | 5.00 | 8 | 7'-0" | 1300 | K90-4-10/12 |
| | | 14 | 13'-5" | 15'-6" | 5'-6" | 12 | 5.00 | 8 | 7'-0" | 1375 | K90-4-10/14 |
| | | 16 | 15'-5" | 17'-6" | 5'-6" | 15 | 5.50 | 8 | 7'-0" | 1625 | K90-4-10/16 |
| | 12' | 10 | 9'-5" | 11'-6" | 6'-6" | 10 | 4.70 | 8 | 8'-0" | 1325 | K90-4-12/10 |
| | | 12 | 11'-5" | 13'-6" | 6'-6" | 12 | 5.00 | 8 | 8'-0" | 1450 | K90-4-12/12 |
| | | 14 | 13'-5" | 15'-6" | 6'-6" | 12 | 5.00 | 8 | 8'-0" | 1525 | K90-4-12/14 |
| | | 16 | 15'-5" | 17'-6" | 6'-6" | 15 | 5.50 | 8 | 8'-0" | 1775 | K90-4-12/16 |
| | 14' | 10 | 9'-5" | 11'-6" | 7'-6" | 10 | 4.70 | 8 | 9'-0" | 1425 | K90-4-14/10 |
| | | 12 | 11'-5" | 13'-6" | 7'-6" | 12 | 5.00 | 8 | 9'-0" | 1550 | K90-4-14/12 |
| | | 14 | 13'-5" | 15'-6" | 7'-6" | 12 | 5.00 | 8 | 9'-0" | 1625 | K90-4-14/14 |
| | | 16 | 15'-5" | 17'-6" | 7'-6" | 15 | 5.50 | 8 | 9'-0" | 1875 | K90-4-14/16 |
| | 16' | 10 | 9'-5" | 11'-6" | 7'-6" | 10 | 4.70 | 8 | 10'-0" | 1500 | K90-4-16/10 |
| | | 12 | 11'-5" | 13'-6" | 7'-6" | 12 | 5.00 | 8 | 10'-0" | 1625 | K90-4-16/12 |
| | | 14 | 13'-5" | 15'-6" | 7'-6" | 12 | 5.00 | 8 | 10'-0" | 1700 | K90-4-16/14 |
| | | 16 | 15'-5" | 17'-6" | 7'-6" | 15 | 5.50 | 8 | 10'-0" | 1975 | K90-4-16/16 |

ADJUSTABLE HEIGHT STEEL (K90) (continued)



| Rated Capacity | Max. Height Under Beam H | Nominal Span (ft.) | Inside Span A | Overall Length B | Support Width C | Beam Height D (in.) | Flange Width E (in.) | Caster Diameter (in.) | Min. Height Under Beam H (ft.) | Weight (lbs.) | Part Number |
|----------------|--------------------------|--------------------|---------------|------------------|-----------------|---------------------|----------------------|-----------------------|--------------------------------|---------------|-------------|
| 5-Ton | 7' | 10 | 9'-5" | 11'-6" | 4'-0" | 12 | 5.00 | 8 | 5'-1" | 1175 | K90-5-7/10 |
| | | 12 | 11'-5" | 13'-6" | 4'-0" | 12 | 5.00 | 8 | 5'-1" | 1225 | K90-5-7/12 |
| | | 14 | 13'-5" | 15'-6" | 4'-0" | 15 | 5.50 | 8 | 5'-1" | 1475 | K90-5-7/14 |
| | | 16 | 15'-5" | 17'-6" | 4'-0" | 15 | 5.50 | 8 | 5'-1" | 1550 | K90-5-7/16 |
| | 9' | 10 | 9'-5" | 11'-6" | 5'-0" | 12 | 5.00 | 8 | 6'-1" | 1325 | K90-5-9/10 |
| | | 12 | 11'-5" | 13'-6" | 5'-0" | 12 | 5.00 | 8 | 6'-1" | 1375 | K90-5-9/12 |
| | | 14 | 13'-5" | 15'-6" | 5'-0" | 15 | 5.50 | 8 | 6'-1" | 1625 | K90-5-9/14 |
| | | 16 | 15'-5" | 17'-6" | 5'-0" | 15 | 5.50 | 8 | 6'-1" | 1700 | K90-5-9/16 |
| | 10' | 10 | 9'-5" | 11'-6" | 5'-6" | 12 | 5.00 | 8 | 7'-1" | 1375 | K90-5-10/10 |
| | | 12 | 11'-5" | 13'-6" | 5'-6" | 12 | 5.00 | 8 | 7'-1" | 1425 | K90-5-10/12 |
| | | 14 | 13'-5" | 15'-6" | 5'-6" | 15 | 5.50 | 8 | 7'-1" | 1675 | K90-5-10/14 |
| | | 16 | 15'-5" | 17'-6" | 5'-6" | 15 | 5.50 | 8 | 7'-1" | 1750 | K90-5-10/16 |
| | 12' | 10 | 9'-5" | 11'-6" | 6'-6" | 12 | 5.00 | 8 | 8'-1" | 1550 | K90-5-12/10 |
| | | 12 | 11'-5" | 13'-6" | 6'-6" | 12 | 5.00 | 8 | 8'-1" | 1600 | K90-5-12/12 |
| | | 14 | 13'-5" | 15'-6" | 6'-6" | 15 | 5.50 | 8 | 8'-1" | 1825 | K90-5-12/14 |
| | | 16 | 15'-5" | 17'-6" | 6'-6" | 15 | 5.50 | 8 | 8'-1" | 1925 | K90-5-12/16 |
| | 14' | 10 | 9'-5" | 11'-6" | 7'-6" | 12 | 5.00 | 8 | 9'-1" | 1650 | K90-5-14/10 |
| | | 12 | 11'-5" | 13'-6" | 7'-6" | 12 | 5.00 | 8 | 9'-1" | 1725 | K90-5-14/12 |
| | | 14 | 13'-5" | 15'-6" | 7'-6" | 15 | 5.50 | 8 | 9'-1" | 1950 | K90-5-14/14 |
| | | 16 | 15'-5" | 17'-6" | 7'-6" | 15 | 5.50 | 8 | 9'-1" | 2050 | K90-5-14/16 |
| 16' | 10 | 9'-5" | 11'-6" | 7'-6" | 12 | 5.00 | 8 | 10'-1" | 1725 | K90-5-16/10 | |
| | 12 | 11'-5" | 13'-6" | 7'-6" | 12 | 5.00 | 8 | 10'-1" | 1800 | K90-5-16/12 | |
| | 14 | 13'-5" | 15'-6" | 7'-6" | 15 | 5.50 | 8 | 10'-1" | 2025 | K90-5-16/14 | |
| | 16 | 15'-5" | 17'-6" | 7'-6" | 15 | 5.50 | 8 | 10'-1" | 2125 | K90-5-16/16 | |

FIXED ALUMINUM (HA90)

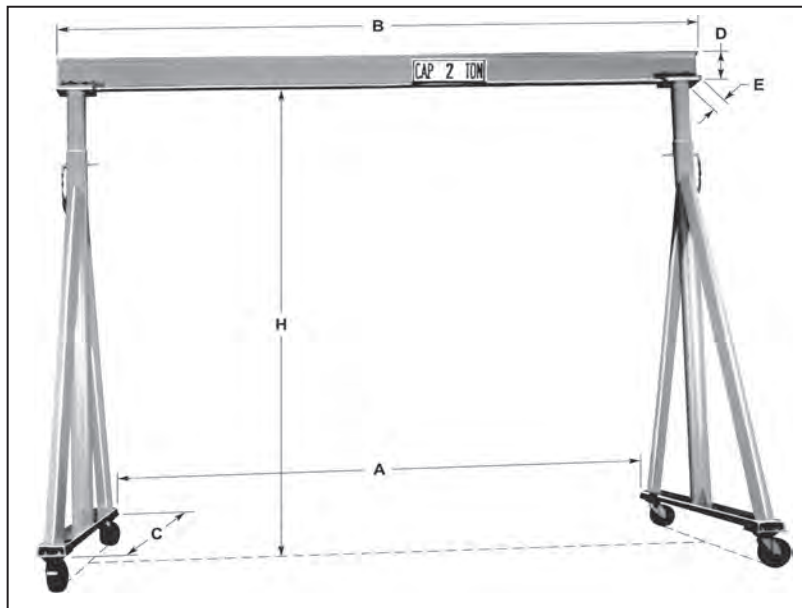


Features

- Lightweight aluminum construction.
- Balanced design allows for easy rolling under load.
- Simple bolt together construction.
- Includes four poly coated swivel casters.
- Easy setup and maintenance.

| Rated Capacity | Max. Height Under Beam H | Nominal Span (ft.) | Inside Span A | Overall Length B | Support Width C | Beam Height D (in.) | Flange Width E (in.) | Caster Diameter (in.) | Weight lbs.) | Part Number |
|----------------|--------------------------|--------------------|---------------|------------------|-----------------|---------------------|----------------------|-----------------------|--------------|--------------|
| 1-Ton | 7'-6" | 6 | 6'-10" | 8'-4" | 4' | 6 | 3.33 | 6 | 212 | HA90-1-7/6 |
| | | 9 | 9'-0" | 10'-6" | 4' | 8 | 4.00 | 6 | 238 | HA90-1-7/9 |
| | | 11 | 11'-0" | 12'-6" | 4' | 8 | 4.00 | 6 | 251 | HA90-1-7/11 |
| | 9'-2" | 6 | 6'-10" | 8'-4" | 5' | 6 | 3.33 | 6 | 234 | HA90-1-9/6 |
| | | 9 | 9'-0" | 10'-6" | 5' | 8 | 4.00 | 6 | 260 | HA90-1-9/9 |
| | | 11 | 11'-0" | 12'-6" | 5' | 8 | 4.00 | 6 | 273 | HA90-1-9/11 |
| | 10'-10" | 6 | 6'-10" | 8'-4" | 6' | 6 | 3.33 | 6 | 258 | HA90-1-10/6 |
| | | 9 | 9'-0" | 10'-6" | 6' | 8 | 4.00 | 6 | 284 | HA90-1-10/9 |
| | | 11 | 11'-0" | 12'-6" | 6' | 8 | 4.00 | 6 | 297 | HA90-1-10/11 |
| 2-Ton | 7'-6" | 6 | 6'-4" | 8'-4" | 4' | 8 | 4.00 | 8 | 351 | HA90-2-7/6 |
| | | 8 | 8'-6" | 10'-6" | 4' | 10 | 4.66 | 8 | 408 | HA90-2-7/8 |
| | | 10 | 10'-6" | 12'-6" | 4' | 10 | 4.66 | 8 | 429 | HA90-2-7/10 |
| | 9'-2" | 6 | 6'-4" | 8'-4" | 5' | 8 | 4.00 | 8 | 371 | HA90-2-9/6 |
| | | 8 | 8'-6" | 10'-6" | 5' | 10 | 4.66 | 8 | 428 | HA90-2-9/8 |
| | | 10 | 10'-6" | 12'-6" | 5' | 10 | 4.66 | 8 | 449 | HA90-2-9/10 |
| | 10'-10" | 6 | 6'-4" | 8'-4" | 6' | 8 | 4.00 | 8 | 401 | HA90-2-10/6 |
| | | 8 | 8'-6" | 10'-6" | 6' | 10 | 4.66 | 8 | 458 | HA90-2-10/8 |
| | | 10 | 10'-6" | 12'-6" | 6' | 10 | 4.66 | 8 | 479 | HA90-2-10/10 |

ADJUSTABLE ALUMINUM (KA90)



Features

- Lightweight aluminum construction.
- Balanced design allows for easy rolling under load.
- Simple bolt together construction.
- Includes four poly coated swivel casters.
- Easy setup and maintenance.
- Height adjustable in 6" increments.

| Rated Capacity | Min/Max Height Under Beam H | Nominal Span (ft.) | Inside Span A | Overall Length B | Support Width C | Beam Height D (in.) | Flange Width E (in.) | Caster Diameter (in.) | Weight (lbs.) | Part Number |
|----------------|-----------------------------|--------------------|---------------|------------------|-----------------|---------------------|----------------------|-----------------------|---------------|--------------|
| 1-Ton | 5'-6" min. 7'-6" max. | 6 | 6'-7" | 8'-4" | 4'-0" | 6 | 3.44 | 6 | 350 | KA90-1-7/6 |
| | | 8 | 8'-9" | 10'-6" | 4'-0" | 8 | 4.00 | 6 | 375 | KA90-1-7/8 |
| | | 10 | 10'-9" | 12'-6" | 4'-0" | 8 | 4.00 | 6 | 390 | KA90-1-7/10 |
| | 6'-2" min. 9'-2" max. | 6 | 6'-7" | 8'-4" | 5'-0" | 6 | 3.44 | 6 | 360 | KA90-1-9/6 |
| | | 8 | 8'-9" | 10'-6" | 5'-0" | 8 | 4.00 | 6 | 385 | KA90-1-9/8 |
| | | 10 | 10'-9" | 12'-6" | 5'-0" | 8 | 4.00 | 6 | 400 | KA90-1-9/10 |
| | 7'-10" min. 10'-10" max. | 6 | 6'-7" | 8'-4" | 6'-0" | 6 | 3.44 | 6 | 385 | KA90-1-10/6 |
| | | 8 | 8'-9" | 10'-6" | 6'-0" | 8 | 4.00 | 6 | 410 | KA90-1-10/8 |
| | | 10 | 10'-9" | 12'-6" | 6'-0" | 8 | 4.00 | 6 | 425 | KA90-1-10/10 |
| | 9'-6" min. 12'-6" max. | 6 | 6'-7" | 8'-4" | 6'-6" | 6 | 3.44 | 6 | 415 | KA90-1-12/6 |
| | | 8 | 8'-9" | 10'-6" | 6'-6" | 8 | 4.00 | 6 | 440 | KA90-1-12/8 |
| | | 10 | 10'-9" | 12'-6" | 6'-6" | 8 | 4.00 | 6 | 455 | KA90-1-12/10 |
| 2-Ton | 5'-6" min. 7'-6" max. | 6 | 6'-0" | 8'-4" | 4'-0" | 8 | 4.00 | 8 | 460 | KA90-2-7/6 |
| | | 8 | 8'-2" | 10'-6" | 4'-0" | 10 | 4.66 | 8 | 500 | KA90-2-7/8 |
| | | 10 | 10'-6" | 12'-6" | 4'-0" | 10 | 4.66 | 8 | 525 | KA90-2-7/10 |
| | 6'-2" min. 9'-2" max. | 6 | 6'-0" | 8'-4" | 5'-0" | 8 | 4.00 | 8 | 485 | KA90-2-9/6 |
| | | 8 | 8'-2" | 10'-6" | 5'-0" | 10 | 4.66 | 8 | 525 | KA90-2-9/8 |
| | | 10 | 10'-6" | 12'-6" | 5'-0" | 10 | 4.66 | 8 | 550 | KA90-2-9/10 |
| | 7'-10" min. 10'-10" max. | 6 | 6'-0" | 8'-4" | 6'-0" | 8 | 4.00 | 8 | 520 | KA90-2-10/6 |
| | | 8 | 8'-2" | 10'-6" | 6'-0" | 10 | 4.66 | 8 | 560 | KA90-2-10/8 |
| | | 10 | 10'-6" | 12'-6" | 6'-0" | 10 | 4.66 | 8 | 585 | KA90-2-10/10 |
| | 9'-6" min. 12'-6" max. | 6 | 6'-0" | 8'-2" | 6'-6" | 8 | 4.00 | 8 | 530 | KA90-2-12/6 |
| | | 8 | 8'-2" | 10'-6" | 6'-6" | 10 | 4.66 | 8 | 570 | KA90-2-12/8 |
| | | 10 | 10'-6" | 12'-6" | 6'-6" | 10 | 4.66 | 8 | 595 | KA90-2-12/10 |