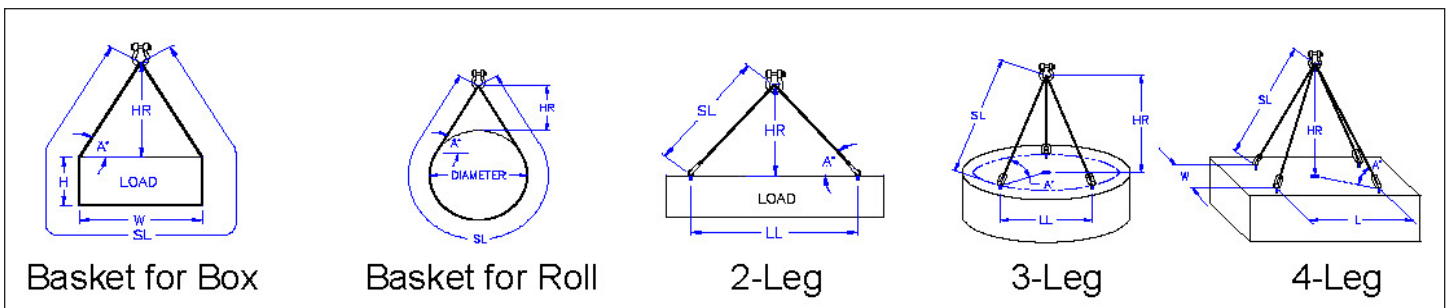


Sling Calculator App is here!

Available in the App Store and Google Play



We are delighted to announce the launch of our new mobile app 'Sling Calculator'. The app will calculate the basic sling leg lengths and suggest the standard sling types and sizes to meet your capacity.

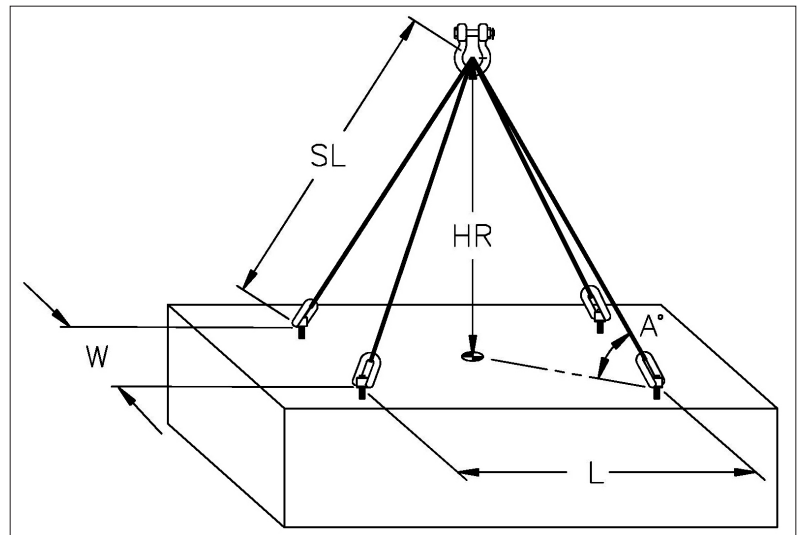


EASY TO USE

Enter the appropriate information for your lift

(example below is a 4-Leg lift)

Pick Point Spread (L or LL):	20'-6"
Sling Spread (W):	10
Sling Spread (H):	n/a
Sling Spread (S):	n/a
Total Load Weight:	20,000
Angle from Horizontal (A):	45
Diameter of Load (D):	n/a
HR = Resulting Head Room:	11'-4.9"



Calculations are based on: 1. Weight being lifted is symmetrically loaded; 2. The center of gravity is directly in the center; and 3. All leg lengths are equal. The design factor for web slings, wire rope slings, and roundslings are 5:1; chain slings are 4:1.