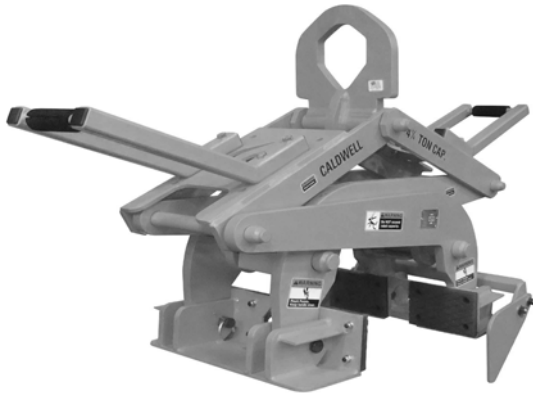


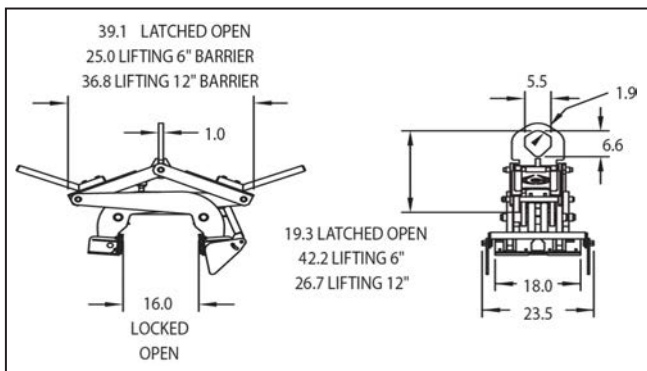
BARRIER LIFTING GRAB (BRG74)



Features

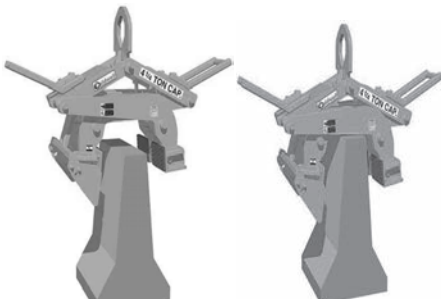
- Compact and rugged design.
- Grabs concrete barriers from 6”–12” nominal width at the top of barrier.
- Stainless steel auto-latch designed to ensure proper alignment.
- Locating assembly orients tong on barrier without operator intervention and will pivot when grab is set on the ground.
- Gripping pads pivot to conform with the load.
- Replaceable polyurethane pads protect barrier.
- Alloy steel dog point pads bite into painted barrier surfaces (typical in coastal areas).
- Centering guide cut out on grab shoe helps to properly center tong over barrier for a level lift.
- Extended handles on each side keep operator away from load and can be adjusted as needed.
- Lifting eye allows for easy hook attachment, self-centers rigging, and will accommodate a fork.

Rated Capacity (lbs.)	Part Number	Weight (lbs.)
With Polyurethane Lifting Pads		
8,500	BRG74-4.25	602
14,500	BRG74-7.25	652
With Steel Dog Point Lifting Pads		
8,500	BRG74-4.25DP	602
14,500	BRG74-7.25DP	652



OPERATION

Place tong on barrier, lower crane completely to disengage the auto-latch.



Lift and position barrier in desired location.



Lower crane (line must go slack to engage auto-latch), lift tong off barrier and repeat!

