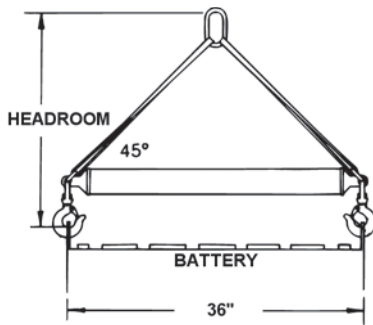
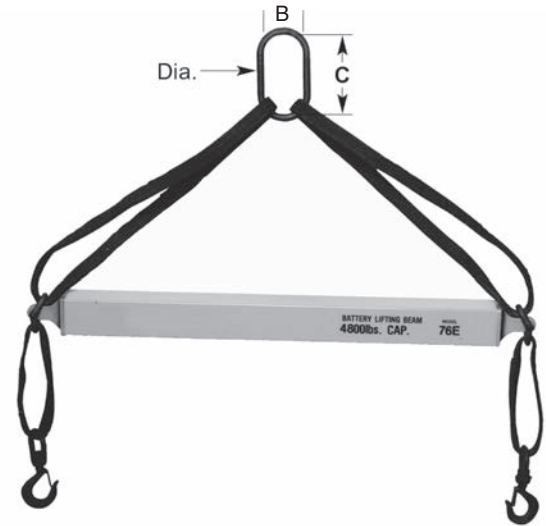


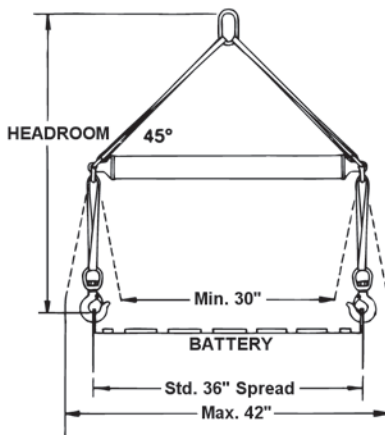
FIBERGLASS BATTERY LIFTING BEAM (BLB)

Features

- Non-conductive fiberglass beam construction.
- Up to 70% lighter than other beams.
- Heavy duty capacities of 4,800 lbs. and 7,000 lbs.
- Acid resistant, coated polyester straps and hooks.
- 36" standard spread - custom lengths available.
- Swivel hooks standard.



Fixed Length (BLBF)				
Rated Capacity (lbs.)	Part Number*	Oblong Size Dia. • B • C (in.)	Headroom (in.)	Weight (lbs.)
4,800	BLB48F	0.63 • 3.00 • 6.00	29	16
7,000	BLB70F	0.75 • 2.75 • 5.50	30	20

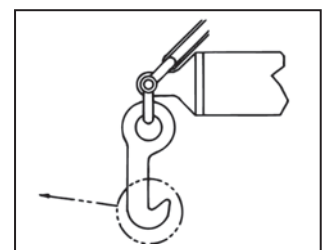
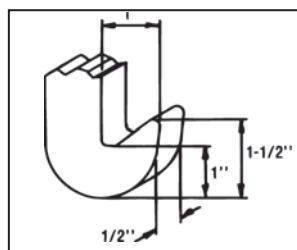


Adjustable (BLBA)				
Rated Capacity (lbs.)	Part Number*	Oblong Size Dia. • B • C (in.)	Headroom (in.)	Weight (lbs.)
4,800	BLB48A	0.63 • 3.00 • 6.00	39	17
7,000	BLB70A	0.75 • 2.75 • 5.50	40.5	20

*Add a "J" to part number for optional J-Hooks.
Note: Maximum spread range is 12".

Optional J Hooks

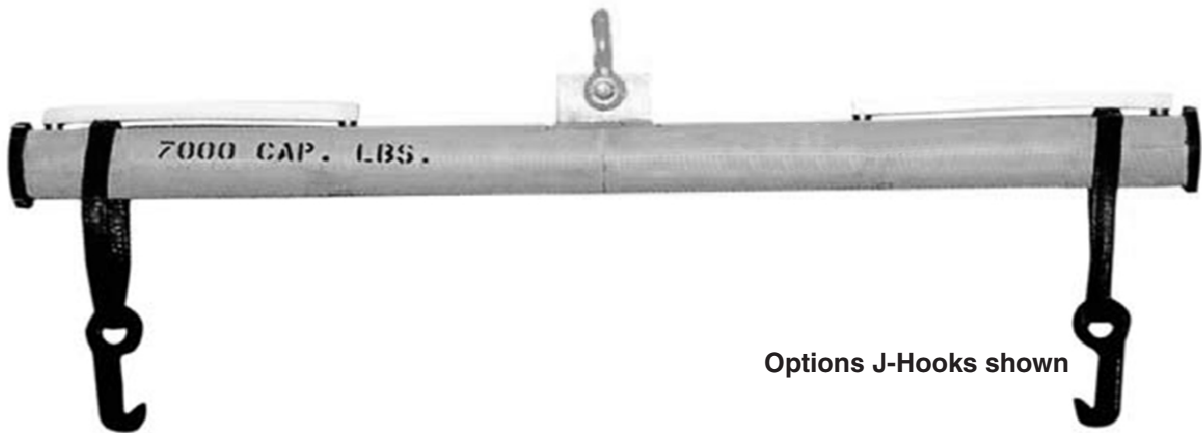
Available in place of swivel hooks



BATTERY LIFTING BEAM (BLBLHA) LOW HEADROOM - ADJUSTABLE

Features

- Low Headroom, 18.28"
- Adjustable to handle batteries of different lengths.
- Non-conductive beam.
- Acid-resistant, coated polyester straps.
- Swivel hooks standard.
- J-Hooks available.



Options J-Hooks shown

Rated Capacity (lbs.)	Part Number	Standard Spread (in.)	Weight (lbs.)
7,000	BLBLHA	45	110



Standard swivel hook shown

