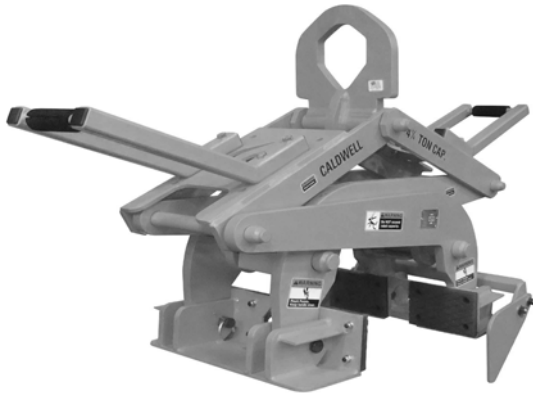
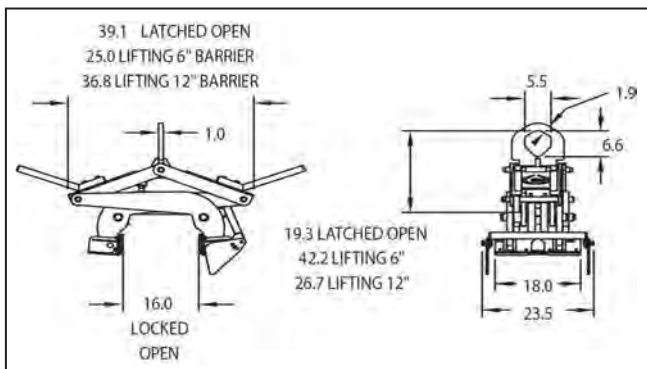


## BARRIER LIFTING GRAB (BRG74)



Rated Capacity (lbs.)	Part Number	Weight (lbs.)
<b>With Polyurethane Lifting Pads</b>		
8,500	<b>BRG74-4.25</b>	602
14,500	<b>BRG74-7.25</b>	652
<b>With Steel Dog Point Lifting Pads</b>		
8,500	<b>BRG74-4.25DP</b>	602
14,500	<b>BRG74-7.25DP</b>	652



### Features

- Compact and rugged design.
- Grabs concrete barriers from 6”–12” nominal width at the top of barrier.
- Stainless steel auto-latch designed to ensure proper alignment.
- Locating assembly orients tong on barrier without operator intervention and will pivot when grab is set on the ground.
- Gripping pads pivot to conform with the load.
- Replaceable polyurethane pads protect barrier.
- Alloy steel dog point pads bite into painted barrier surfaces (typical in coastal areas).
- Centering guide cut out on grab shoe helps to properly center tong over barrier for a level lift.
- Extended handles on each side keep operator away from load and can be adjusted as needed.
- Lifting eye allows for easy hook attachment, self-centers rigging, and will accommodate a fork.

### OPERATION

Place tong on barrier, lower crane completely to disengage the auto-latch.



Lift and position barrier in desired location.



Lower crane (line must go slack to engage auto-latch), lift tong off barrier and repeat!

