

BEAM FLANGE CLAMPS (BFC)

Great for the Lifting of (or Suspension From) I-Beams



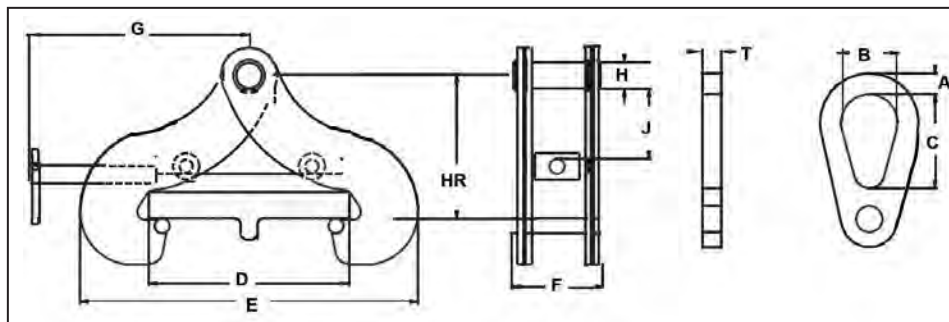
Option LB
Large Bail



Features

- Rated load capacities from 1 to 10 metric tons.
- Proof-test with a certificate.
- Lightweight and portable design.
- Left-hand thread and right-hand thread screw spindle allows for rapid clamping and unclamping.
- Locknut prevents inadvertent loosening of clamp.
- Jaw opening adjusts to a wide range of beam types and flange widths.
- Use only for vertical loading.
- Built-in suspension pin provides lower headroom.
- Powder-coated finish.
- Available with large bail option for oversized hoist hooks.
- 5:1 design factor meets portions of ASME B30.16.
- Complies with ASME B30.20 and BTH-1 standards.

Dimension (in.)															
Part Number	Rated Capacity (lbs.)	D		Max E	F	G	Diameter H	J	A	B	C	T	Headroom		Weight (lbs.)
		Min	Max										Min	Max	
BFC1	2,200	3.0	7.50	12.25	3.00	9.25	0.88	2.10	0.75	2.00	2.00	0.63	3.00	5.00	8
BFC2	4,400	3.0	7.50	12.25	3.00	9.25	0.88	2.10	0.75	2.00	2.00	0.63	3.00	5.00	9
BFC3	6,600	6.0	12.0	19.75	4.25	11.00	1.25	2.38	1.00	2.50	2.50	1.00	4.50	7.50	19
BFC5	11,000	6.0	12.0	19.75	4.25	11.00	1.25	2.38	1.00	2.50	2.50	1.00	4.50	7.50	22
BFC10	22,000	6.0	13.25	22.50	6.00	14.63	1.75	4.65	1.38	3.75	6.25	1.25	7.50	10.25	50



Applications



Allows for the capability of hanging hoists or rigging from an overhead load bearing structure.



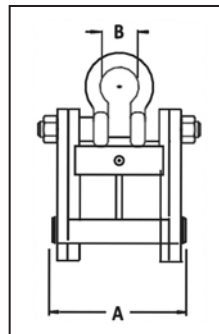
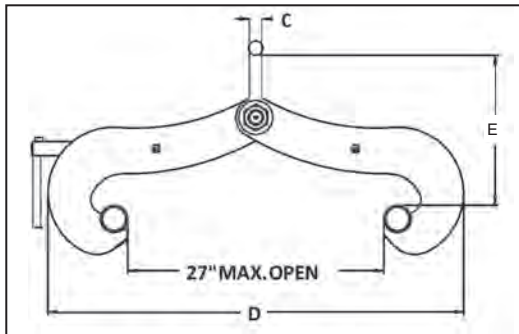
For lifting and positioning structural beams. Can be used in pairs in conjunction with a spreader beam for additional versatility.

GIRDER CLAMPS

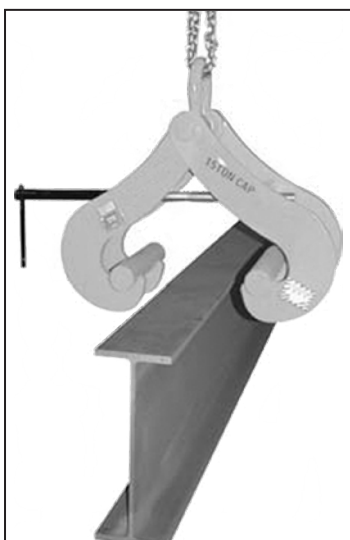
(Use for Vertical Lifting Only)

Features

- Efficiently handles wide flange beam sections and plate girders.
- Design ensures positive grip and minimum maintenance.
- Thread screw spindles allow for quick clamping and unclamping.



Part Number	Rated Capacity (tons)	Dimensions (inches)								
		Flange Width		Max. Flange Thickness	A	B	C	D Min. - Max.	E Min. - Max.	Weight (lbs.)
		Min.	Max.							
GC15	15	6	24	3	14.81	3.90	1.60	23 - 44	15.7 - 23.4	234
GC20	20	6	24	3	14.81	5.00	2.10	23 - 44	18.3 - 25.9	291
GC25	25	6	24	3	14.81	5.00	2.10	23 - 44	18.3 - 25.9	342

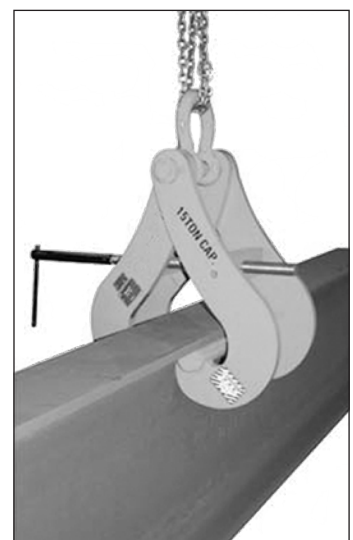


WARNING

Use for vertical lifting only

For lifting and positioning structural beams.

Can be used in pairs in conjunction with a spreader beam for additional stability.



BEAM GRAB (F)

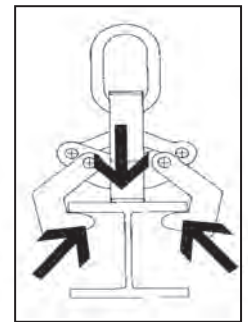
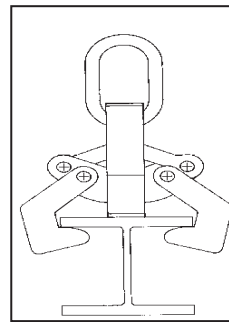
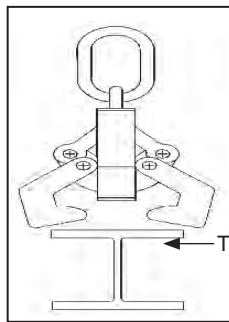
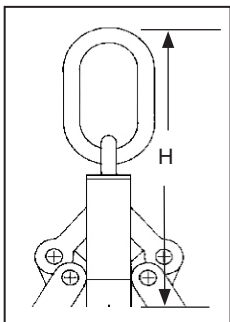
For Vertical Lifting Only (Not Suspension)

Features

- Heavy-duty design for lifting wide flange beams and plate girders.
- Recessed base accepts studs in beam surface.
- Eliminates need for slings, chokers and spreader bars.



Rated Capacity (tons)	Part Number	Unit Height H (in.)	Flange Width W (in.)		Flange Thickness T (in.)		Weight (lbs.)
			Min.	Max.	Min.	Max.	
5	F5	22.7	4	4	0.25	0.25	68
			5	5	0.25	0.38	
			6	10	0.25	1.00	
15	F15	30.1	7	7	0.50	0.75	182
			8	8	0.50	1.00	
			9	10	0.50	1.25	
25	F25	44.8	16	17	1.25	3.00	541
			18	24	1.00	3.00	
35	F35	52.9	16	18	2.25	4.00	841
			20	22	2.00	4.00	
			24	26	1.75	4.00	
			28	36	1.00	4.00	



Operation:

1. Lower grab onto beam.
2. Lift arms, if necessary, to slide under beam flange.
3. As beam is lifted, pressure forces arms together to secure beam.
4. The heavier the beam, the greater the clamping force.