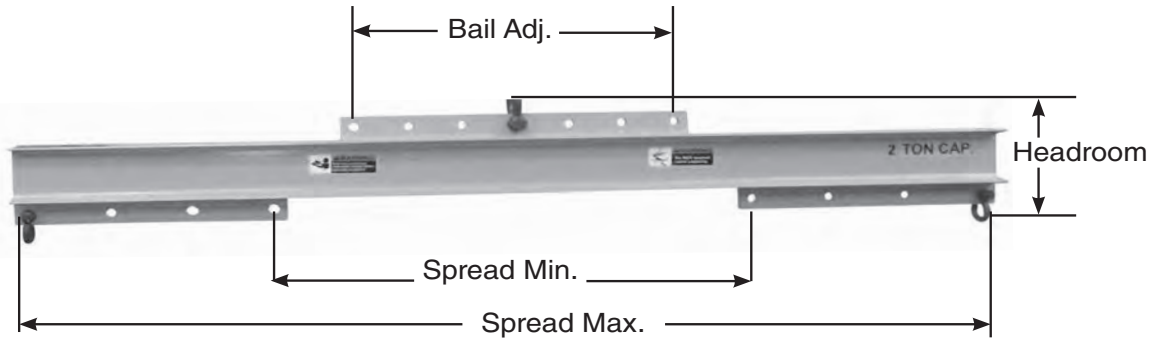


Economical Lifting Beams



ADJUSTABLE SPREADER/LIFTING BEAM (ASLB16)

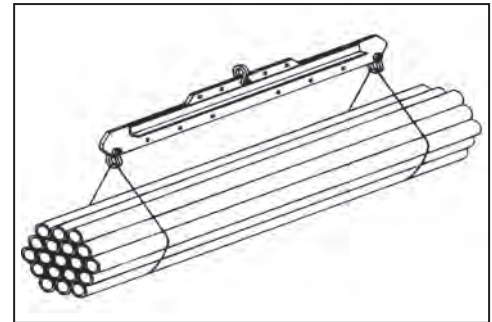


Features

- Use for 2, 3, or 4-point lifting, or as a spreader beam (optional top rigging).
- Adjustable lifting points.
- Handles both wide and unbalanced loads.
- Low headroom capability.
- Shackles included.
- 6" spread adjustments.
- 4" bail adjustments.

Options

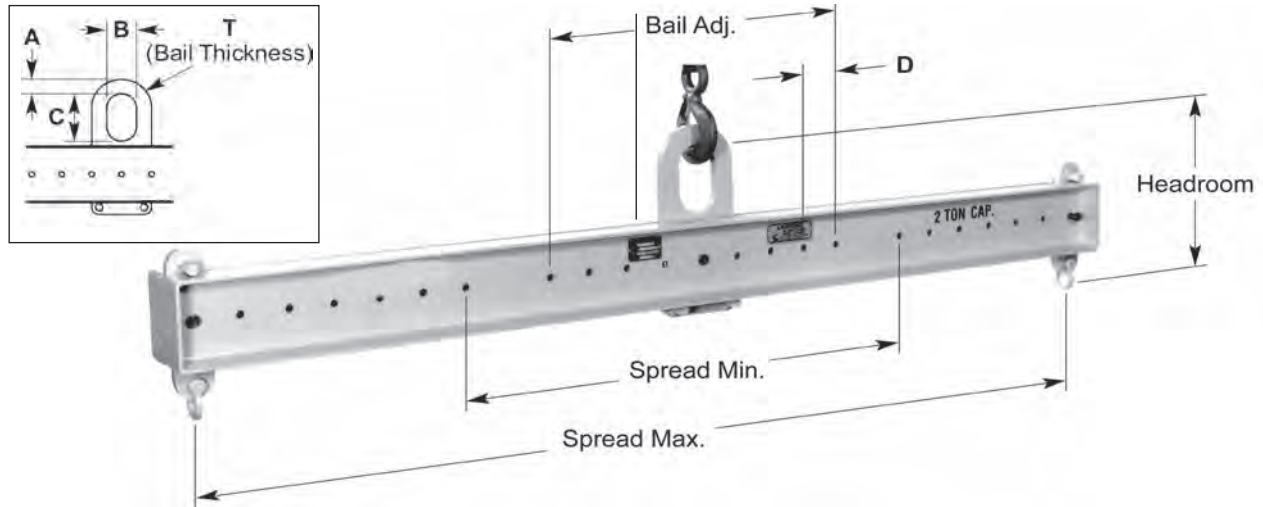
- Pair of swivel hooks*.
- Top chain rigging available.



Rated Capacity (tons)	Part Number*	Spread (ft.)		Bail Adjustment (in.)	Bolt Style Anchor Shackles (tons)		Headroom (in.)	Weight (lbs.)
		Max.	Min.		Top	Bottom		
1/4	ASLB.5X4	4	1	16	1.50	1.50	7.13	40
1/2	ASLB1X4	4	1	16	1.50	1.50	7.13	40
1/2	ASLB1X6	6	3	24	1.50	1.50	10.00	100
1/2	ASLB1X8	8	4	32	1.50	1.50	10.00	135
1/2	ASLB1X10	10	5	40	1.50	1.50	10.00	145
1	ASLB2X6	6	3	24	1.50	1.50	10.00	100
1	ASLB2X8	8	4	32	1.50	1.50	11.00	140
1	ASLB2X10	10	5	40	1.50	1.50	11.00	175
2	ASLB4X6	6	3	24	3.25	2.00	12.50	130
2	ASLB4X8	8	4	32	3.25	2.00	13.50	200
2	ASLB4X10	10	5	40	3.25	2.00	14.50	280
4	ASLB8X8	8	4	32	4.75	4.75	16.75	290
4	ASLB8X10	10	5	40	4.75	4.75	18.75	420
4	ASLB8X12	12	6	48	4.75	4.75	18.75	500
5	ASLB10X8	8	4	32	6.50	4.75	18.75	320
5	ASLB10X10	10	5	40	6.50	4.75	20.25	465
5	ASLB10X12	12	6	48	6.50	4.75	20.25	550
7	ASLB14X12	12	6	48	8.50	6.50	23.75	790

* For optional swivel hooks, add an "S" to part number and contact *Lift-All* for pricing.

ADJUSTABLE LIFTING BEAM (ALB17)

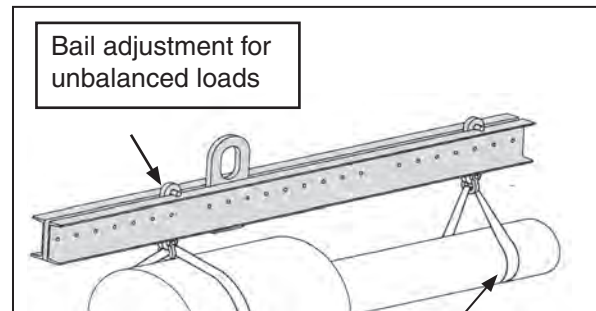


Features

- Adjust bail horizontally for lifting unbalanced loads.
- Provides clearance in low headroom applications.
- Spread adjusts in 6" increments.
- Shackles included.

Options

- Pair of swivel hooks*.



Lift points adjusted for load length

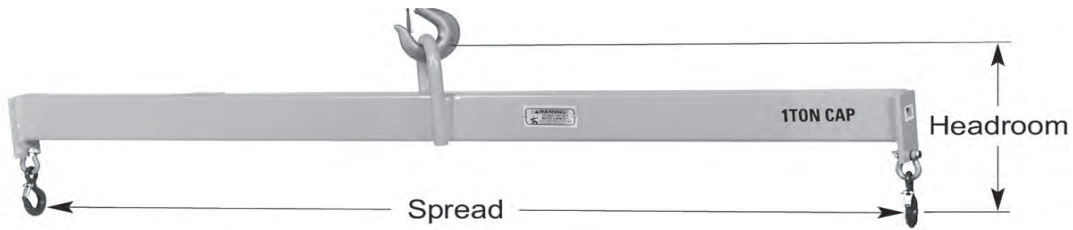
Rated Capacity (tons)	Part Number*	Spread (ft.)		Bail Adjustment (in.)		Bail Dimensions A • B • C • T (in.)	Headroom (in.)	Weight (lbs.)
		Max.	Min.	Range	D			
1-1/4	ALB2.5X6	6	3	24	3	1.50 • 3.00 • 5.00 • 0.63	14.7	150
2	ALB4X6	6	3	24	3	1.50 • 3.00 • 5.00 • 0.63	14.7	155
4	ALB8X8	8	4.5	36	6	2.00 • 4.00 • 7.00 • 0.75	19.8	285
5	ALB10X10	10	5	36	6	2.00 • 4.00 • 7.00 • 1.00	22.4	475

* For optional swivel hooks, add an "S" to part number and contact *Lift-All* for pricing.

Economical Lifting Beams



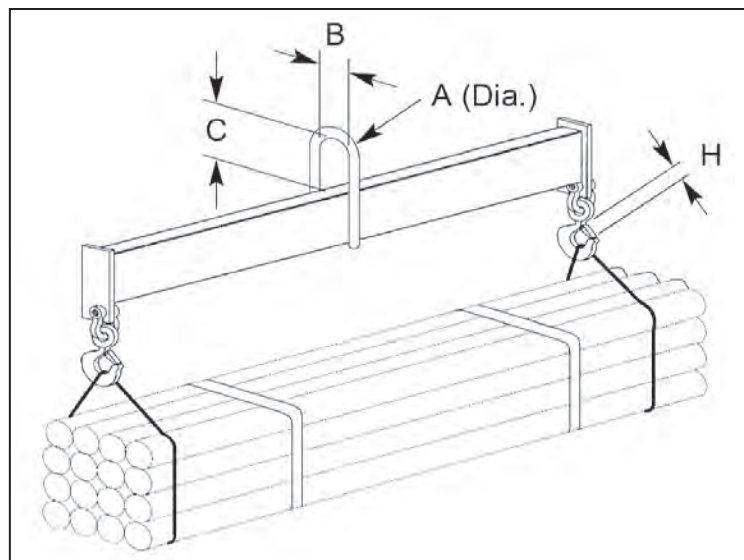
FIXED SPREAD LIFTING BEAM (FSLB19)



Rated Capacity (tons)	Part Number	Spread (ft.)	Bail Dimensions A • B • C • H (in.)	Headroom (in.)	Weight (lbs.)
1/2	FSLB1X2	2		13.75	20
	FSLB1X3	3	A • 0.75	13.75	26
	FSLB1X4	4	B • 3.00	13.75	33
	FSLB1X6	6	C • 5.00	13.75	48
	FSLB1X8	8	H • 0.89	14.75	75
	FSLB1X10	10		14.75	93
1	FSLB2X2	2		14.75	26
	FSLB2X3	3	A • 1.00	14.75	35
	FSLB2X4	4	B • 3.00	14.75	44
	FSLB2X6	6	C • 5.00	15.75	72
	FSLB2X8	8	H • 0.89	15.75	93
	FSLB2X10	10		16.75	131
2	FSLB4X3	3	A • 1.00	16.75	45
	FSLB4X4	4	B • 3.00	17.75	55
	FSLB4X6	6	C • 5.00	19.75	108
	FSLB4X8	8	H • 1.00	19.75	140
	FSLB4X10	10		19.75	188
3	FSLB6X3	3	A • 1.50	18.50	58
	FSLB6X4	4	B • 4.00	20.50	87
	FSLB6X6	6	C • 7.00	20.50	118
	FSLB6X8	8	H • 1.00	20.50	222
	FSLB6X10	10		20.50	272

Features

- Fixed spread.
- Eye hooks with latches.
- Sealed construction for cleaner beam.

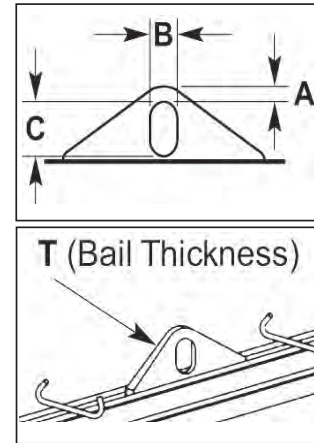


BASKET SLING LIFTING BEAM (BSLB18)



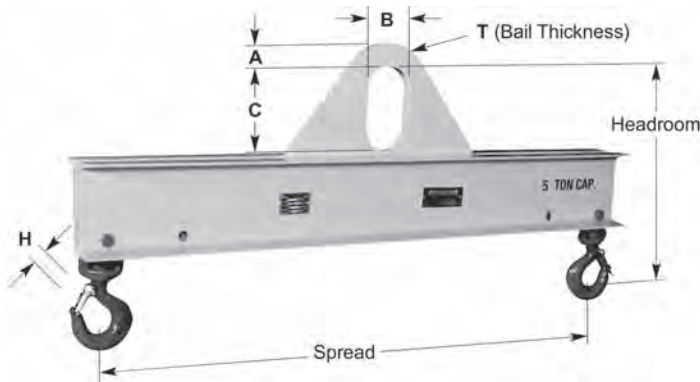
Features

- Best beam for low headroom applications.
- Fixed spread.
- Bent bar hooks allow for 2" wide sling eyes:
 - One set for 3' and 4' spreads.
 - Two sets for 6' through 12' spreads.
- Spread 2 is one-half of spread 1.



Rated Capacity (tons)	Part Number	Spread (ft.)	Bail Dimensions A • B • C • T (in.)	Headroom (in.)	Weight (lbs.)
1/2	BSLB1X3	3		8.50	40
	BSLB1X4	4	A • 0.88	8.50	48
	BSLB1X6	6	B • 3.00	8.50	78
	BSLB1X8	8	C • 5.00	8.50	95
	BSLB1X10	10	T • 0.75	8.50	113
	BSLB1X12	12		9.50	171
1	BSLB2X3	3		8.50	40
	BSLB2X4	4	A • 0.88	8.50	48
	BSLB2X6	6	B • 3.00	9.50	93
	BSLB2X8	8	C • 5.00	10.50	136
	BSLB2X10	10	T • 0.75	10.50	175
	BSLB2X12	12		11.50	239
2	BSLB4X3	3		9.50	52
	BSLB4X4	4	A • 0.88	10.50	75
	BSLB4X6	6	B • 3.00	10.50	139
	BSLB4X8	8	C • 5.00	11.50	169
	BSLB4X10	10	T • 0.75	12.50	246
	BSLB4X12	12		13.50	326
5	BSLB10X3	3		13.50	104
	BSLB10X4	4	A • 2.00	14.50	135
	BSLB10X6	6	B • 4.00	15.50	211
	BSLB10X8	8	C • 7.00	16.50	310
	BSLB10X10	10	T • 1.25	17.50	423
	BSLB10X12	12		19.50	618

LOW HEADROOM MULTIPLE SPREAD LIFTING BEAM (LHLB20)

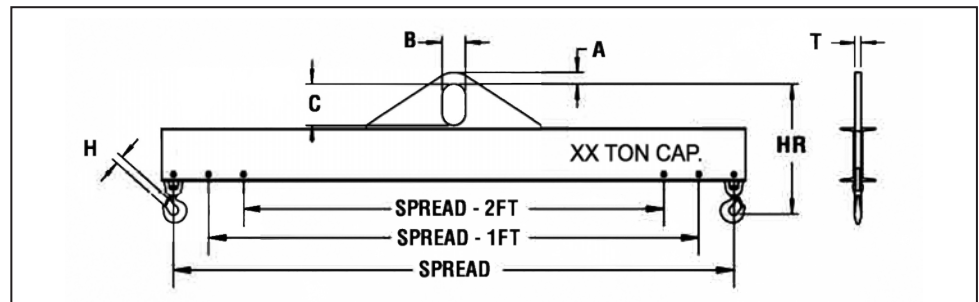


Features

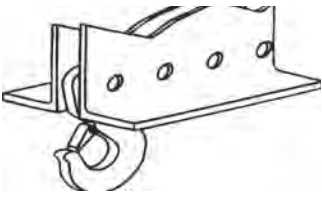
- Great for low headroom applications.
- Swivel hooks with latches standard.
- 3' & 4' beams have two spreads.
- Beams 6' and longer have three spreads.
- Inner spread lengths are shorter than outer spreads by 1' increments.
- Additional or custom hole configuration available.

Rated Capacity (tons)	Part Number	Spread (ft.)	Bail Dimensions A • B • C • T • H (in.)	Headroom (in.)	Weight (lbs.)
1/2	LHLB1X3	3	A • 0.88 B • 3.00 C • 5.00 T • 0.75 H • 0.88	12.75	40
	LHLB1X4	4		12.75	50
	LHLB1X6	6		12.75	65
	LHLB1X8	8		12.75	95
	LHLB1X10	10		13.75	140
	LHLB1X12	12		13.75	160
	LHLB1X14	14		14.75	230
	LHLB1X16	16		15.75	305
	LHLB1X18	18		16.75	400
	LHLB1X20	20		16.75	450
	LHLB1X24	24		20.25	830
LHLB1X30	30	22.25	1340		
1	LHLB2X3	3	A • 0.88 B • 3.00 C • 5.00 T • 0.75 H • 0.88	12.75	40
	LHLB2X4	4		12.75	50
	LHLB2X6	6		13.75	85
	LHLB2X8	8		13.75	115
	LHLB2X10	10		14.75	165
	LHLB2X12	12		15.75	230
	LHLB2X14	14		16.75	320
	LHLB2X16	16		18.50	415
	LHLB2X18	18		20.25	605
	LHLB2X20	20		20.25	675
LHLB2X24	24	22.25	1095		
2	LHLB4X3	3	A • 0.88 B • 3.00 C • 5.00 T • 0.75 H • 0.88	13.75	50
	LHLB4X4	4		13.75	65
	LHLB4X6	6		14.75	100
	LHLB4X8	8		16.50	165
	LHLB4X10	10		17.50	230
	LHLB4X12	12		18.25	315
	LHLB4X14	14		20.25	480
	LHLB4X16	16		20.25	540
	LHLB4X18	18		24.75	800
	LHLB4X20	20		24.75	900
LHLB4X24	24	27.75	1730		

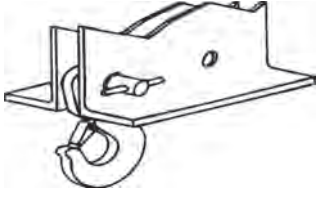
LOW HEADROOM MULTIPLE SPREAD LIFTING BEAM (LHLB20)



Options:



Extra Holes
 Allows for extra hook positions in addition to the standard holes.
 Specify number and spread.



FasPins
 Allows for easy repositioning of hooks. Recommended for frequent hook position changes.



Extra Hooks
 Allows for multiple pick points.
 Saves time from having to move hooks.

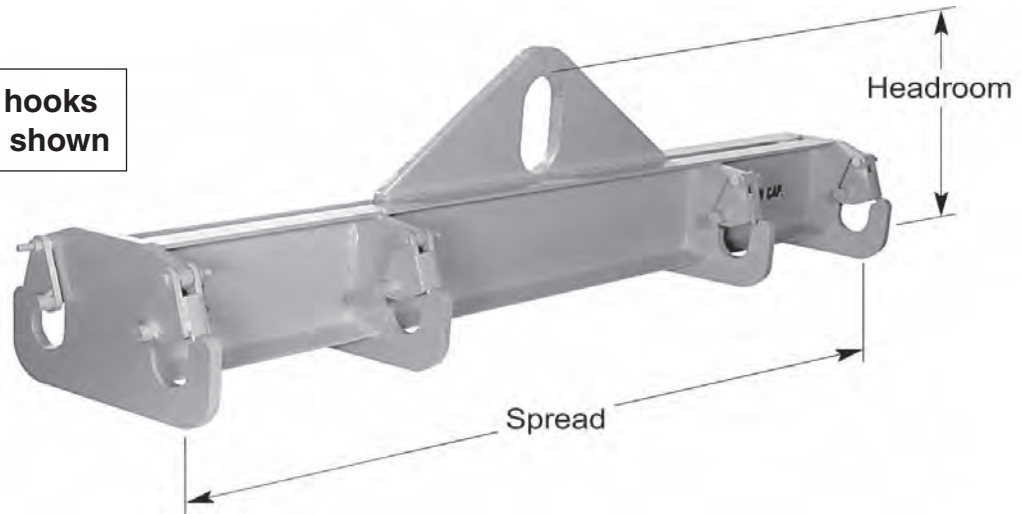
Rated Capacity (tons)	Part Number	Spread (ft.)	Bail Dimensions A • B • C • T • H (in.)	Headroom (in.)	Weight (lbs.)
3	LHLB6X3	3	A • 1.25 B • 3.00 C • 5.00 T • 1.00 H • 1.00	15.25	70
	LHLB6X4	4		15.25	80
	LHLB6X6	6		16.25	140
	LHLB6X8	8		17.25	200
	LHLB6X10	10		18.25	275
	LHLB6X12	12		22.50	415
	LHLB6X14	14		24.50	650
	LHLB6X16	16		24.50	730
	LHLB6X18	18		27.50	1295
	LHLB6X20	20		27.50	1450
LHLB6X24	24	27.50	1765		
5	LHLB10X3	3	A • 2.00 B • 4.00 C • 7.00 T • 1.25 H • 1.94	19.50	115
	LHLB10X4	4		20.50	145
	LHLB10X6	6		21.50	205
	LHLB10X8	8		25.50	325
	LHLB10X10	10		25.50	390
	LHLB10X12	12		27.50	580
	LHLB10X14	14		27.50	690
	LHLB10X16	16		30.25	1210
	LHLB10X18	18		30.25	1340
	LHLB10X20	20		30.25	1505
LHLB10X24	24	33.25	2275		
7-1/2	LHLB15X3	3	A • 2.00 B • 4.00 C • 7.00 T • 1.25 H • 1.50	22.50	135
	LHLB15X4	4		23.25	170
	LHLB15X6	6		25.25	265
	LHLB15X8	8		27.25	415
	LHLB15X10	10		27.25	500
	LHLB15X12	12		30.25	910
	LHLB15X14	14		30.25	1070
	LHLB15X16	16		30.25	1600
LHLB15X18	18	33.00	1665		
10	LHLB20X3	3	A • 2.00 B • 4.00 C • 7.00 T • 1.25 H • 1.56	23.50	150
	LHLB20X4	4		25.25	205
	LHLB20X6	6		27.25	335
	LHLB20X8	8		27.25	420
	LHLB20X10	10		30.25	775
	LHLB20X12	12		30.25	910
	LHLB20X14	14		30.25	1075
	LHLB20X16	16		33.00	1500
	LHLB20X18	18		33.00	1670

Industrial Lifting Beams



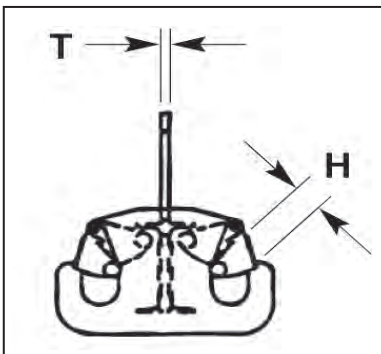
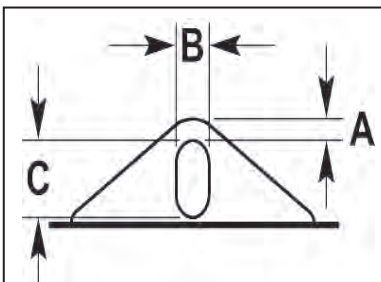
HEAVY DUTY TWIN BASKET SLING LIFTING BEAM (HDLB22)

Two sets of fixed hooks (total of 8-Hooks) shown



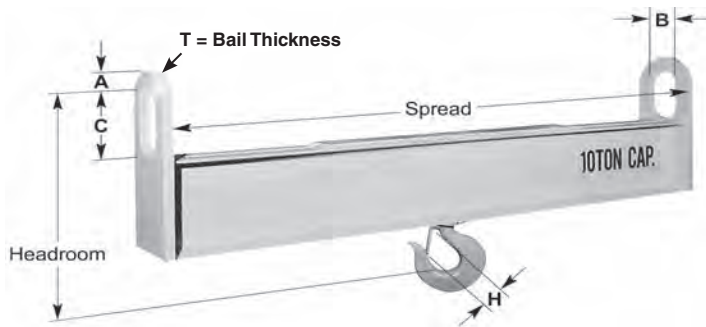
Features

- For use with slings in a basket hitch.
- Latch hooks designed to minimize sling eye damage.
- One set of fixed hooks standard for 3' and 4' lengths (total of 4-hooks).
- Two sets of fixed hooks standard for all lengths over 4' (total of 8-hooks).
- Inner spread is one-half of outer spread.
- Extra spreads available upon request.



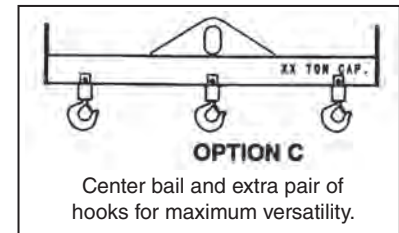
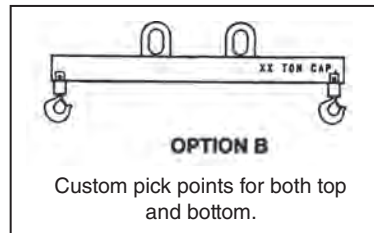
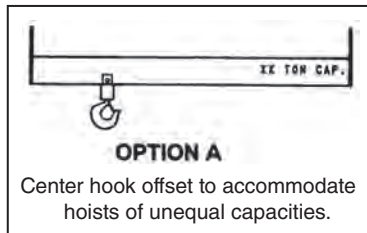
Rated Capacity (tons)	Part Number	Spread (ft.)	Bail / Hook Dimensions A • B • C • T • H (in.)	Headroom (in.)	Weight (lbs.)
1/2	HDLB1X3	3	A • 0.88	8.50	50
	HDLB1X4	4	B • 3.00	8.50	65
	HDLB1X6	6	C • 5.00	8.50	110
	HDLB1X8	8	T • 0.75	8.50	150
	HDLB1X10	10	H • 1.06	9.50	200
	HDLB1X12	12		9.50	220
1	HDLB2X3	3	A • 0.88	8.50	50
	HDLB2X4	4	B • 3.00	8.50	65
	HDLB2X6	6	C • 5.00	9.50	145
	HDLB2X8	8	T • 0.75	10.50	210
	HDLB2X10	10	H • 1.12	10.50	230
	HDLB2X12	12		11.50	290
2	HDLB4X3	3	A • 0.88	9.50	70
	HDLB4X4	4	B • 3.00	10.50	90
	HDLB4X6	6	C • 5.00	10.50	160
	HDLB4X8	8	T • 0.75	11.50	225
	HDLB4X10	10	H • 1.12	12.50	300
	HDLB4X12	12		13.50	375
5	HDLB10X3	3	A • 2.00	13.50	90
	HDLB10X4	4	B • 4.00	14.50	160
	HDLB10X6	6	C • 7.00	15.50	275
	HDLB10X8	8	T • 1.00	16.50	350
	HDLB10X10	10	H • 1.12	16.50	450
	HDLB10X12	12		16.50	500
7-1/2	HDLB15X3	3	A • 2.00	14.50	155
	HDLB15X4	4	B • 4.00	15.50	180
	HDLB15X6	6	C • 7.00	16.50	330
	HDLB15X8	8	T • 1.25	17.50	410
	HDLB15X10	10	H • 1.75	17.50	500
	HDLB15X12	12		19.50	700
10	HDLB20X3	3	A • 2.00	15.50	150
	HDLB20X4	4	B • 4.00	16.50	200
	HDLB20X6	6	C • 7.00	17.50	360
	HDLB20X8	8	T • 1.25	19.50	500
	HDLB20X10	10	H • 1.75	19.50	850
	HDLB20X12	12		19.50	1000

TWIN HOIST LIFTING BEAM (THLB25)



Features

- Use two (or more) hoists to increase lifting stability.
- Swivel hook with latch standard.
- Multiple options available.



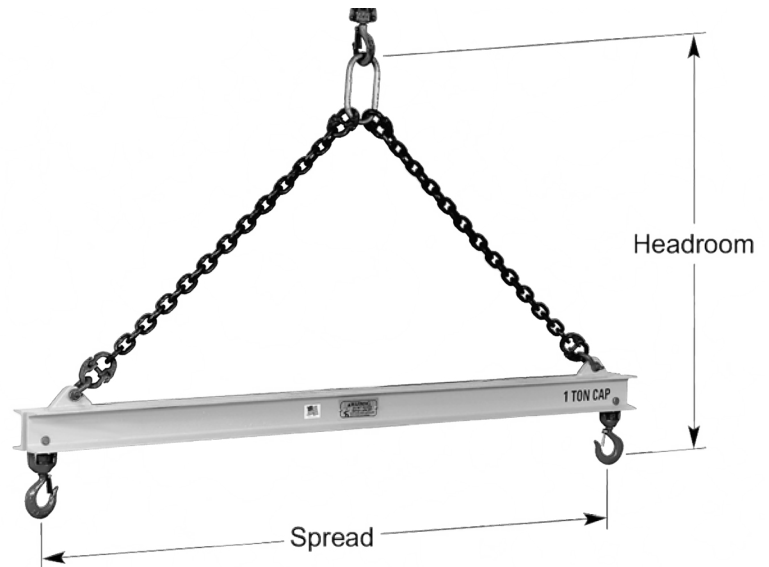
Rated Capacity (tons)	Part Number	Spread (ft.)	Bail / Hook Dimensions A • B • C • T • H (in.)	Headroom (in.)	Weight (lbs.)
2	THLB4X6	6	A • 1.50	16.75	125
	THLB4X8	8	B • 3.00	16.75	160
	THLB4X10	10	C • 5.00	17.75	240
	THLB4X12	12	T • 0.63	17.75	280
	THLB4X14	14	H • 1.13	18.75	360
	THLB4X16	16		18.75	400
4	THLB8X6	6	A • 1.50	20.00	160
	THLB8X8	8	B • 3.00	21.00	240
	THLB8X10	10	C • 5.00	22.00	310
	THLB8X12	12	T • 0.63	23.00	410
	THLB8X14	14	H • 1.50	23.00	500
	THLB8X16	16		25.00	725
6	THLB12X6	6	A • 1.50	27.50	220
	THLB12X8	8	B • 3.00	28.50	300
	THLB12X10	10	C • 5.00	28.50	380
	THLB12X12	12	T • 0.75	30.50	550
	THLB12X14	14	H • 2.06	30.50	640
	THLB12X16	16		30.50	780
10	THLB20X6	6	A • 2.00	29.00	340
	THLB20X8	8	B • 4.00	29.00	420
	THLB20X10	10	C • 7.00	32.00	800
	THLB20X12	12	T • 1.00	32.00	920
	THLB20X14	14	H • 2.25	32.00	1100
	THLB20X16	16		32.00	1220
15	THLB30X8	8	A • 2.00	38.25	740
	THLB30X10	10	B • 4.00	38.25	865
	THLB30X12	12	C • 7.00	38.25	1050
	THLB30X14	14	T • 1.25	41.25	1930
	THLB30X16	16	H • 2.25	41.25	2158
	20	THLB40X8	8	A • 2.00	35.50
THLB40X10		10	B • 4.00	38.50	1130
THLB40X12		12	C • 7.00	38.50	1266
THLB40X14		14	T • 1.25	38.50	1926
THLB40X16		16	H • 3.00	38.50	2196

Spreader Beams

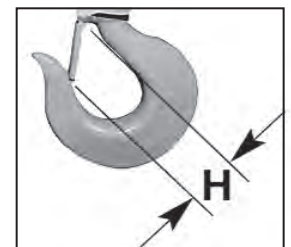
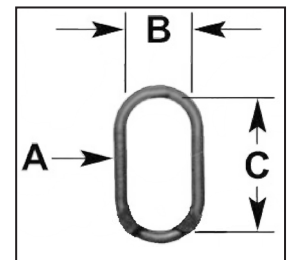
FIXED SPREADER BEAM (FSB30)

Features

- Ideal where headroom is not limited.
- Adds stability to lift.
- Chain rigging standard.
- Wire rope rigging available.
- Adjust-A-Link rigging available for additional flexibility.



Rated Capacity (tons)	Part Number*	Spread (ft.)	Bail / Hook Dimensions A • B • C • H (in.)	Headroom (in.)	Weight (lbs.)
					Includes Rigging
2	FSB4X4	4	A • 0.50 B • 2.50 C • 5.00 H • 0.97	34	72
	FSB4X6	6		46	104
	FSB4X8	8		58	142
	FSB4X10	10		70	159
	FSB4X12	12		82	210
	FSB4X16	16		106	342
	FSB4X20	20		132	533
	FSB4X24	24		156	632
5	FSB10X4	4	A • 1.00 B • 3.50 C • 7.00 H • 1.06	37	94
	FSB10X6	6		49	128
	FSB10X8	8		61	170
	FSB10X10	10		73	198
	FSB10X12	12		83	272
	FSB10X16	16		110	435
	FSB10X20	20		134	587
	FSB10X24	24		158	858
10	FSB20X4	4	A • 1.25 B • 4.38 C • 8.75 H • 1.50	41	148
	FSB20X6	6		53	195
	FSB20X8	8		64	236
	FSB20X10	10		77	275
	FSB20X12	12		86	355
	FSB20X16	16		113	667
	FSB20X20	20		138	931
	FSB20X24	24		163	1537

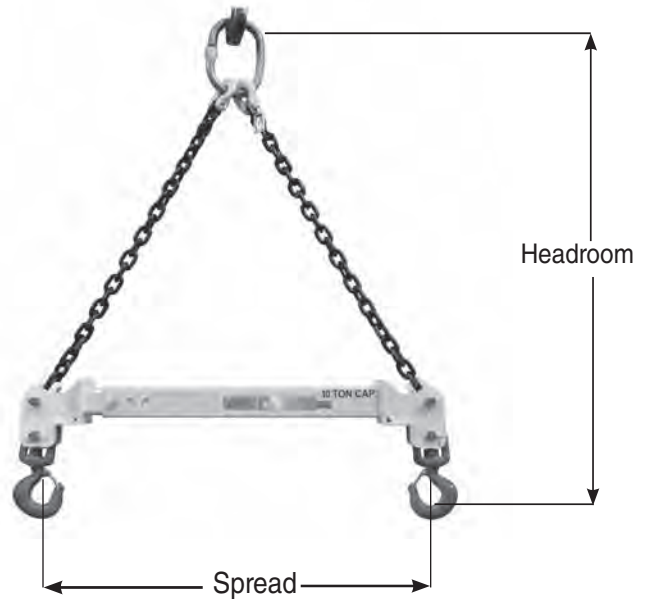
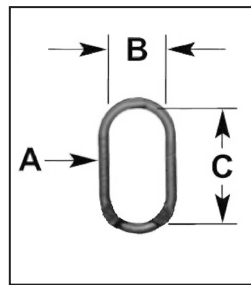
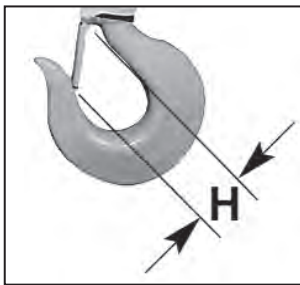


* Add "W" to the part number for wire rope rigging; add "A" to the part number for Adjust-A-Link rigging.

ADJUSTABLE SPREADER BEAM (ASB32)

Features

- Great versatility and stability where headroom is not limited.
- Chain rigging standard.
- Wire rope rigging available.
- Telescoping spread adjusts in 1-inch increments.



Rated Capacity (tons)	Part Number*	Spread (ft.)	Bail / Hook Dimensions A • B • C • H (in.)	Headroom Min / Max (in.)	Weight (lbs.)
					Includes Rigging
2	ASB4X4-6	4 to 6	A • 0.50	48 min. / 57 max.	79
	ASB4X6-10	6 to 10	B • 2.36	72 min. / 88 max.	98
	ASB4X8-14	8 to 14	C • 3.94	96 min. / 113 max.	192
	ASB4X12-20	12 to 20	H • 0.97	132 min. / 166 max.	268
5	ASB10X4-6	4 to 6	A • 1.00	55 min. / 64 max.	139
	ASB10X6-10	6 to 10	B • 3.94	79 min. / 95 max.	207
	ASB10X8-14	8 to 14	C • 7.09	102 min. / 126 max.	266
	ASB10X12-20	12 to 20	H • 1.41	138 min. / 172 max.	752
10	ASB20X4-6	4 to 6	A • 1.25	60 min. / 69 max.	179
	ASB20X6-10	6 to 10	B • 5.51	74 min. / 111 max.	244
	ASB20X8-14	8 to 14	C • 10.63	108 min. / 132 max.	548
	ASB20X12-20	12 to 20	H • 1.78	144 min. / 163 max.	798
15	ASB30X4-6	4 to 6	A • 1.50	64 min. / 72 max.	243
	ASB30X6-10	6 to 10	B • 5.25	87 min. / 104 max.	476
	ASB30X8-14	8 to 14	C • 10.5	111 min. / 135 max.	623
	ASB30X12-20	12 to 20	H • 2.22	147 min. / 180 max.	894

* Add "W" to part number for wire rope rigging.

DURA-LITE™ COMPOSITE LIFTING BEAMS

The latest technology to the lifting industry, these patented *Dura-Lite* products provide new capabilities with strong lightweight materials. Dura-Lite lifting and spreader beams incorporate the same composite technology being used in today's aerospace, automotive and construction industries, which provided high strength-to-weight ratio.

Features and Benefits

- Lightweight
- Non-corrosive
- Non-conductive
- Can be used for wide range of applications
- Standard capacities range from 1/4 to 3 tons
- Custom Designed Dura-Lite equipment available
- Amazingly strong and impact resistant
- Chemical tested
- Temperature tested
- Cycle tested
- Proof-tested with a certificate issued
- Compliant with European Community standards CE



Caldwell Dura-Lite equipment offers many advantages to a wide variety of applications and industries.

- Composite material is not detected by radar, ideal for military applications.
- Lightweight composite beams do not reduce crane capacity as much as the steel equivalent.
- Beams 8' and under can be shipped via small package service saving time and money.
- Non-conductive materials are ideal for use in the utility industry. Marine applications and other harsh environments are no match for the non-corrosive properties of these composite beams.
- Dura-Lite beams are the lightweight, ergonomic solution needed to help reduce work related injuries.
- Service class 4 means that these lifters are designed for 2 million load cycles – that's over 30 years at 200 lifts per day!

DURA-LITE™ MODEL 419 FIXED SPREADER BEAM



Provided as shown with lifting ring and load hooks.

The Caldwell Group Inc.
PAT NO. US 9,359,174, B2

Capacity Tons	Model No.	Spread (in.)	Head Room (in.)	Beam Only Weight (lbs.)	Weight with Hardware (lbs.)	Bail Dimensions (in.)			Hook D
						A	B	C	
1/4	419-1/4-2	24	13.5	6	8	0.38	1.5	2	0.89
	419-1/4-3	36	13.5	8	10				
	419-1/4-4	48	13.5	10	12				
	419-1/4-6	72	16.5	23	25				
	419-1/4-8	96	16.5	30	32				
1/2	419-1/2-2	24	13.9	7	9	0.38	1.5	1.9	0.89
	419-1/2-3	36	13.9	9	11				
	419-1/2-4	48	14.9	12	14				
	419-1/2-6	72	15.9	25	27				
	419-1/2-8	96	16.9	42	44				
1	419-1-2	24	19.6	9	15	0.62	2.8	4.5	0.89
	419-1-3	36	19.6	11	17				
	419-1-4	48	21.6	19	25				
	419-1-6	72	23.6	34	39				
	419-1-8	96	23.6	62	67				
2	419-2-2	24	21.9	15	24	0.62	2.8	4.3	0.91
	419-2-3	36	24.1	24	33				
	419-2-4	48	25.9	46	56				
	419-2-6	72	25.9	60	69				
3	419-3-2	24	24.9	21	32	0.62	2.8	4.3	1
	419-3-3	36	24.9	24	35				
	419-3-4	48	26.6	46	58				

Dura-Lite beams comply with current ASME B30.20, BTH-1, design category B, service class 4 standards.

Composite Lifting Beams



DURA-LITE™ MODEL 416 ADJUSTABLE SPREADER BEAM



Provided as shown with lifting ring and load hooks.

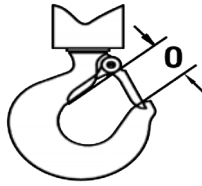
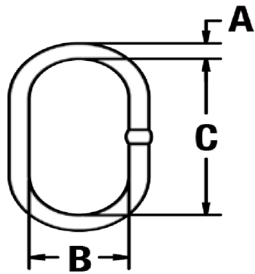
The Caldwell Group Inc.
PAT NO. US 9,359,174, B2

Capacity Tons	Model No.	Spread (in.)	Head Room (in.)	Beam Only Weight (lbs.)	Weight with Hardware (lbs.)	Bail Dimensions (in.)			Hook D
						A	B	C	
1/4	416-1/4-2	24	18	7	9	0.38	1.5	2	0.89
	416-1/4-3	36	30	9	11				
	416-1/4-4	48	42	11	13				
	416-1/4-6	72	60	27	28				
	416-1/4-8	96	84	32	35				
1/2	416-1/2-2	24	18	9	11	0.38	1.5	1.9	0.89
	416-1/2-3	36	30	10	13				
	416-1/2-4	48	42	14	16				
	416-1/2-6	72	60	30	32				
	416-1/2-8	96	84	49	51				
1	416-1-2	24	18	14	20	0.62	2.8	4.5	0.89
	416-1-3	36	30	16	22				
	416-1-4	48	42	23	29				
	416-1-6	72	60	48	54				
	416-1-8	96	84	72	79				
2	416-2-2	24	18	19	30	0.62	2.8	4.3	0.91
	416-2-3	36	30	25	46				
	416-2-4	48	42	45	57				
	416-2-6	72	60	68	79				
3	416-3-2	24	18	22	38	0.62	2.8	4.3	1
	416-3-3	36	30	25	41				
	416-3-4	48	42	45	62				

Dura-Lite beams comply with current ASME B30.20, BTH-1, design category B, service class 4 standards.

Composite Lifting Beams

DURA-LITE™ MODEL 430 SPREADER BEAM



Provided as shown with lifting ring and load hooks.

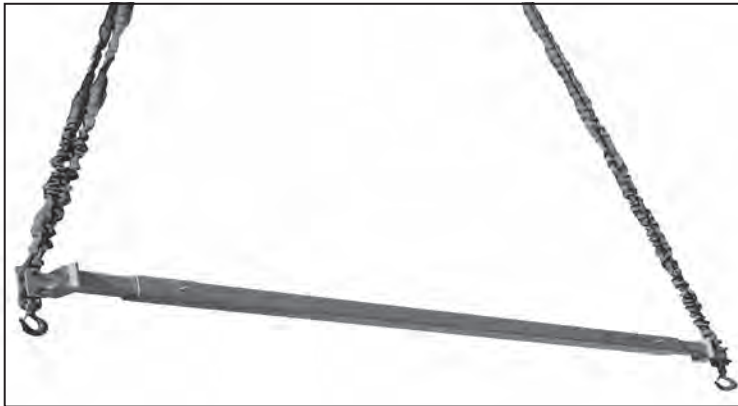


The Caldwell Group Inc.
PAT NO. US 9,359,174, B2

Capacity Tons	Model No.	Spread (in.)	Head Room (in.)	Beam Only Weight (lbs.)	Weight with Hardware (lbs.)	Bail Dimensions (in.)			Hook D
						A	B	C	
1/4	430-1/4-2	24	24	5	9	0.62	2.8	5	0.89
	430-1/4-3	36	30	7	11				
	430-1/4-4	48	36	9	13				
	430-1/4-6	72	48	14	17				
	430-1/4-8	96	60	18	22				
1/2	430-1/2-2	24	24.5	5	9	0.62	2.8	5	0.89
	430-1/2-3	36	30.5	7	11				
	430-1/2-4	48	36.5	10	14				
	430-1/2-6	72	48.5	14	18				
	430-1/2-8	96	62	29	34				
1	430-1-2	24	25	6	13	0.62	2.8	5	0.89
	430-1-3	36	31	9	15				
	430-1-4	48	37	11	18				
	430-1-6	72	51	25	32				
	430-1-8	96	64	44	51				
2	430-2-2	24	27	11	22	0.62	2.8	5	0.91
	430-2-3	36	33	13	24				
	430-2-4	48	40	21	32				
	430-2-6	72	53	34	46				
	430-2-8	96	65	63	76				
3	430-3-2	24	27	11	24	0.62	2.8	5	1
	430-3-3	36	33	13	27				
	430-3-4	48	42	25	40				
	430-3-6	72	54	49	64				

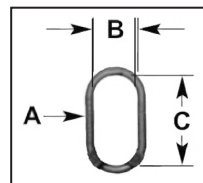
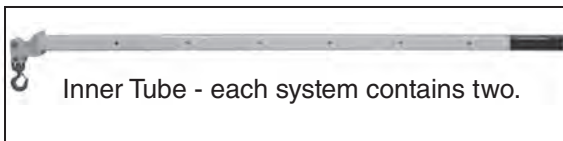
Dura-Lite beams comply with current ASME B30.20, BTH-1, design category B, service class 4 standards.

MODULAR SPREADER BEAM (MSB14)

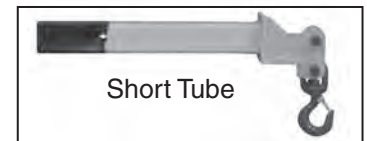


Features

- Designed to accommodate spreads from 10' to 22'.
- 1-Ton and 2-Ton capacities.
- Lightweight.
- Faspin with lanyard allows for quick adjustment of spread in 1' increments.
- Hair pin cotter to rigging attachment.
- Designed and manufactured to ASME standards.
- Roundslings available for top rigging.



Lifting Eye Dimensions



Rated Capacity (tons)	Part Number	Spread Min/Max (ft.)	Headroom at Minimum Spread (in.)	Headroom at Maximum Spread (in.)	A	B	C	Hook Opening w/Latch (in.)	Weight (lbs.)
1	MSB2	10 min. / 22 max.	135.6	150.7	0.50	2.5	5	0.97	195
2	MSB4	10 min. / 22 max.	135.6	150.7	0.75	3.0	6	0.97	275

Recommended Options Top Rigging



Top Rigging - Add "R" to part number

Two each: 2-Leg *Tuflex* roundslings per beam
Minimum rigging angle 45°

Spreader Part Number	For Spreader Lengths	Rigging Part Number
MSB2	10' - 16'	DOEN30 X 11'-6"
	16' - 22'	DOEN30 X 16'-0"
MSB4	10' - 16'	DOEN60 X 11'-6"
	16' - 22'	DOEN60 X 16'-0"