

BASIC INFORMATION

Lift-All Company can provide a unique engineered device for your production requirements. Our custom devices range from large capacity beams to small S-Hooks or J-Hooks.

Features and Benefits

- Specifically designed equipment for the ultimate in safety.
- All equipment conforms to highest engineering standards and meets or exceeds government and industry regulations (ASME B30.20).
- Helps eliminate employee fatigue - raises morale and quality of work.
- Productivity improves through efficiency when using properly designed lifting devices.
- Equipment can be designed to prevent costly load damage.
- Rugged materials and construction provide long useful life.

Inspection Criteria for Lifting Devices

Visually inspect lifting device and slings prior to each lift. Have competent person record inspection a minimum of once a year. Follow all warnings and care/use instructions supplied with the device. Check the following and correct before use:

- Structural deformation, cracks, excessive wear.
- Loose or missing guards, fasteners, covers, stops or name plates.
- Inoperable mechanisms including automatic hold or release devices.
- Loose bolts or fasteners.
- Cracked or worn gears, pulleys, sheaves, sprockets, bearings and chains.
- Excessive wear of friction pads, linkage or other mechanical parts.
- Excessive wear of hoist hooking points and load support clevises or pins.

Safe Operating Practices

- Use only per ASME B30.20.
- Check name plate to assure proper lifting capacity.
- Perform a test load a sufficient distance to assure that the load is supported properly by the lifter and then inspect lifter for defects and deformation.
- Instruct the operator in correct lifting practices including proper storage, load distribution, use of associated slings, temperature considerations, avoidance of obstructions, acceleration, side pulls and angle of lift. Read HELP section of this catalog.
- Never lift over people and never ride the load.
- For proper use of slings with lifting devices refer to ASME B30.9 and appropriate section of this catalog.

How to Order

1. Review and understand the HELP section in this catalog.
2. Copy appropriate drawing from the following pages or download from our website www.lift-all.com under **Products/Lifting Devices/Custom Lifting Devices**.
3. Enter the information and fax to 717-898-1215, or scan and email to: customerservice@lift-all.com. For assistance call us at 800-909-1964.
4. Our engineering drawing will be sent to you for approval and purchase order.



Required Information

Opening required for Overhead Hook:

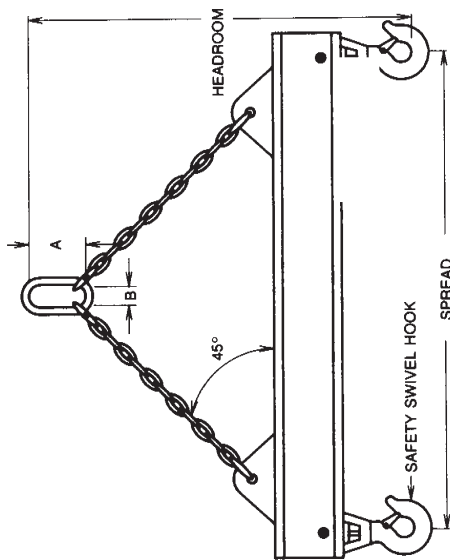
- A (Height) _____
- B (Width) _____
- C (Max.) _____
- Capacity Required _____
- Spread _____
- Headroom _____
- D (Options) _____

Is load center of gravity centered between other pick points? **Yes** **No**

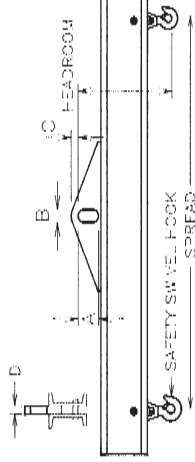
If no, specify location in reference to pick points (attach a diagram if necessary): _____

If adjustable beam required, list quantity and spread for any additional pairs of holes, pins and hooks. _____

Spreader Beam



Low Headroom lifting Beam



NOTE: Custom Engineered Products are Non-Returnable.

Quotation Needed By: _____ Date _____

Date _____ From _____
Person Requesting Quote

Distributor _____

Address _____

City _____ State _____ Zip _____

Phone _____ Email _____

Drawing Number: _____

Name and Phone Number _____

Purchase Order Number _____

Signature _____ Date _____

Required Information

S-HOOK

Material Diameter _____

Rated Capacity _____

Chain Size: _____

A _____ B _____

C _____ D _____

R (Radius) _____

J-HOOK

Style: Circle One A B C

Tip: Flat-Tapered _____

Rated Capacity _____

Chain Size: _____

A _____ B _____

C _____ D _____

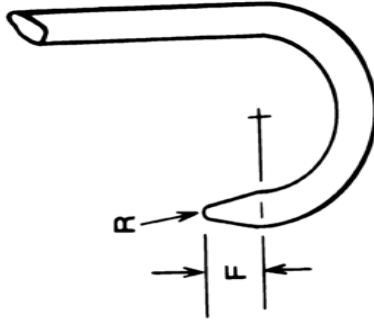
E _____ F _____

R (Tip Radius) _____

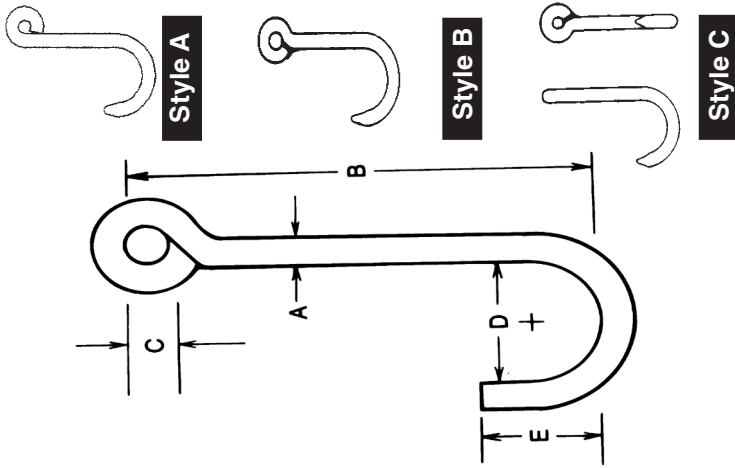
Special Instructions: _____



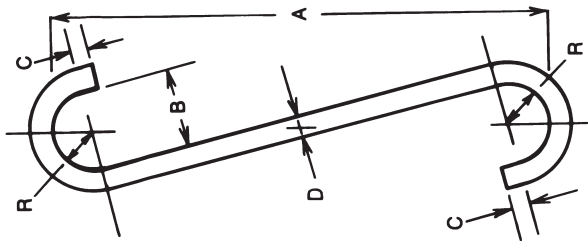
J-Hook TIP



Alloy J-Hook



Alloy S-Hook



Drawing Number: _____

Name and Phone Number _____

Purchase Order Number _____

Signature _____ Date _____

Quotation Needed By: _____ Date _____

Date _____ From _____
Person Requesting Quote

Distributor _____

Address _____

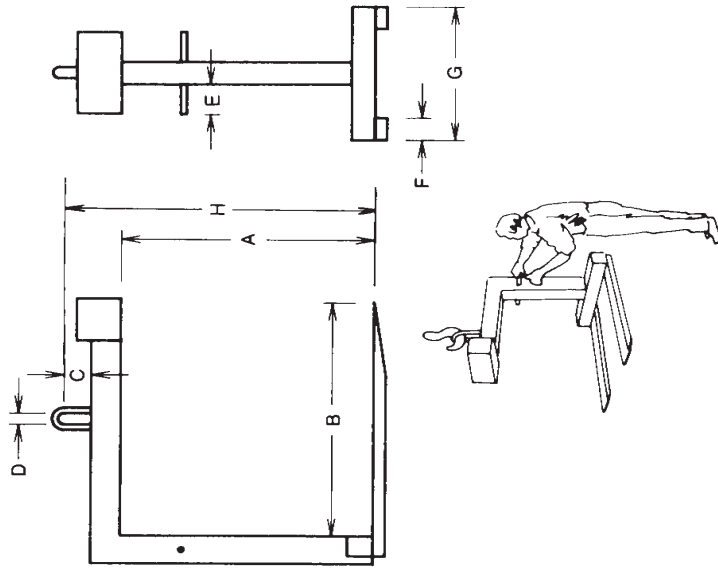
City _____ State _____ Zip _____

Phone _____ Email _____

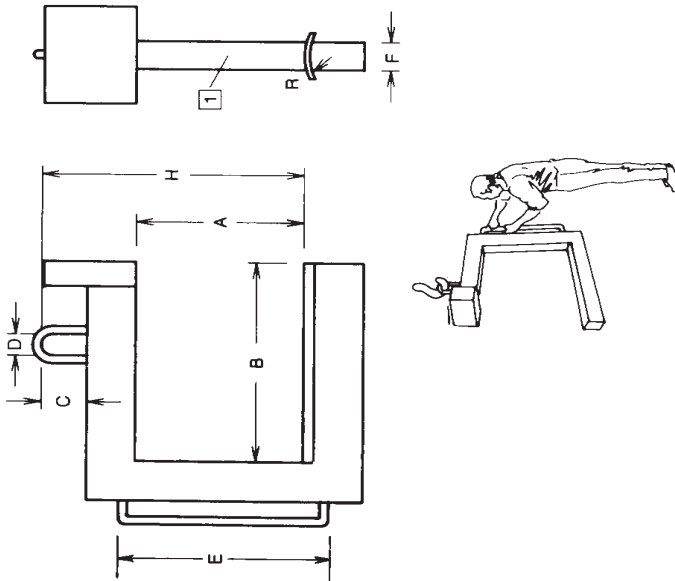
Required Information

Style Requested _____
 Capacity _____
 Minimum Coil I.D. _____
 Maximum Coil O.D. _____
 Maximum Coil Width _____
 Size of Overhead Hook (Cap.) _____
 A _____
 B _____
 C (Minimum) _____
 D (Minimum) _____
 E _____
 F (Options) _____
 G _____
 H (Options) _____
 R (Options) _____
 Back Stop Pad Yes No
 Special Instructions: _____

STANDARD PALLET LIFTER



STANDARD COIL LIFTER



Drawing Number: _____

Name and Phone Number _____

Purchase Order Number _____

Signature _____ Date _____

Quotation Needed By: _____ Date _____

Date _____ From _____
Person Requesting Quote

Distributor _____

Address _____

City _____ State _____ Zip _____

Phone _____ Email _____