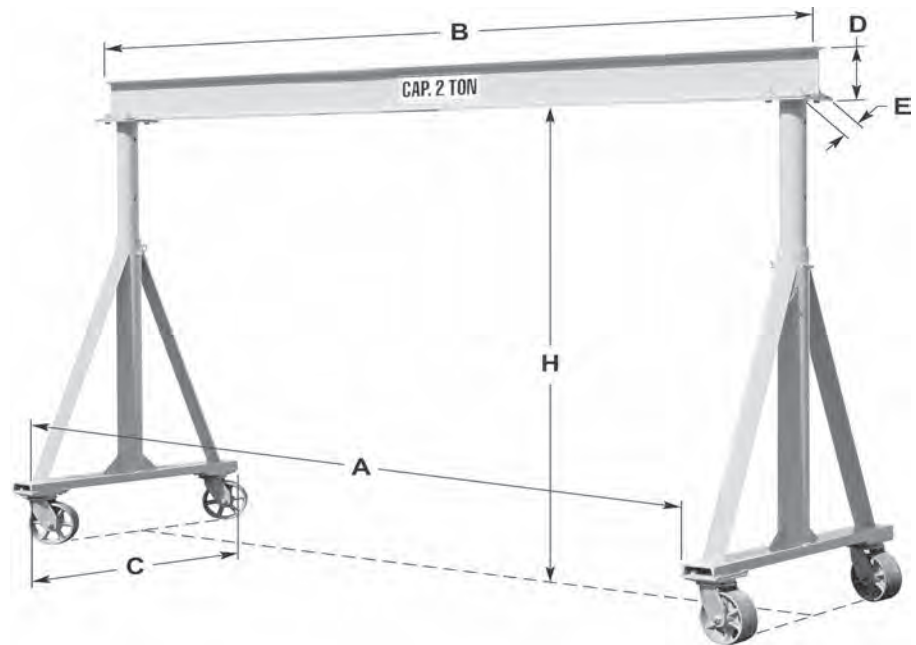


FIXED HEIGHT STEEL (H90)

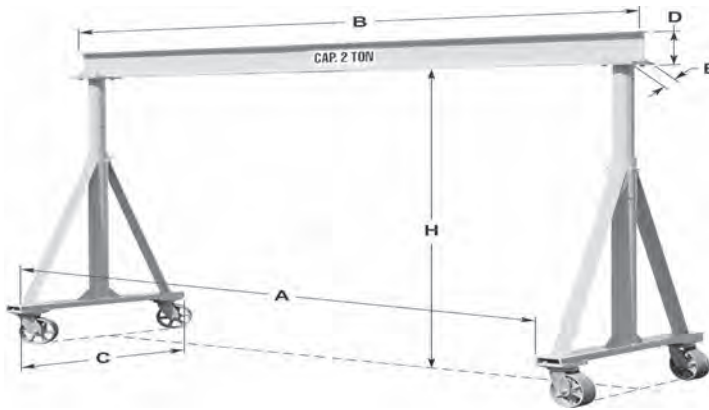
Features

- Balanced design allows for easy rolling, even under load.
- Simple bolt together construction.
- Includes four steel swivel casters.
- Easy set-up and maintenance.
- Adjustable span from 10' to 16'.



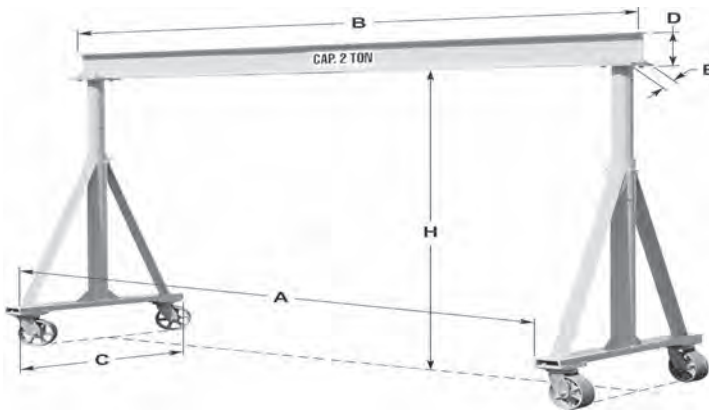
Rated Capacity	Height Under Beam H	Nominal Span (ft.)	Inside Span A	Overall Length B	Support Width C	Beam Height D (in.)	Flange Width E (in.)	Caster Diameter (in.)	Weight (lbs.)	Part Number
1-Ton	10'	10	10'-4"	11'-6"	5'-6"	6	3.33	6	825	H90-1-10/10
		12	12'-4"	13'-6"	5'-6"	8	4.00	6	930	H90-1-10/12
		14	14'-4"	15'-6"	5'-6"	8	4.00	6	967	H90-1-10/14
		16	16'-4"	17'-6"	5'-6"	6	4.66	6	1136	H90-1-10/16
	12	10	10'-4"	11'-6"	6'-6"	6	3.33	6	913	H90-1-12/10
		12	12'-4"	13'-6"	6'-6"	8	4.00	6	1018	H90-1-12/12
		14	14'-4"	15'-6"	6'-6"	8	4.00	6	1055	H90-1-12/14
		16	16'-4"	17'-6"	6'-6"	10	4.66	6	1224	H90-1-12/16
	14'	10	10'-4"	11'-6"	7'-6"	6	3.33	6	977	H90-1-14/10
		12	12'-4"	13'-6"	7'-6"	8	4.00	6	1082	H90-1-14/12
		14	14'-4"	15'-6"	7'-6"	8	4.00	6	1119	H90-1-14/14
		16	16'-4"	17'-6"	7'-6"	10	4.66	6	1288	H90-1-14/16
	16'	10	10'-4"	11'-6"	7'-6"	6	3.33	6	1081	H90-1-16/10
		12	12'-4"	13'-6"	7'-6"	8	4.00	6	1186	H90-1-16/12
		14	14'-4"	15'-6"	7'-6"	8	4.00	6	1223	H90-1-16/14
		16	16'-4"	17'-6"	7'-6"	10	4.66	6	1392	H90-1-16/16

Gantry Cranes



FIXED HEIGHT STEEL (H90) (continued)

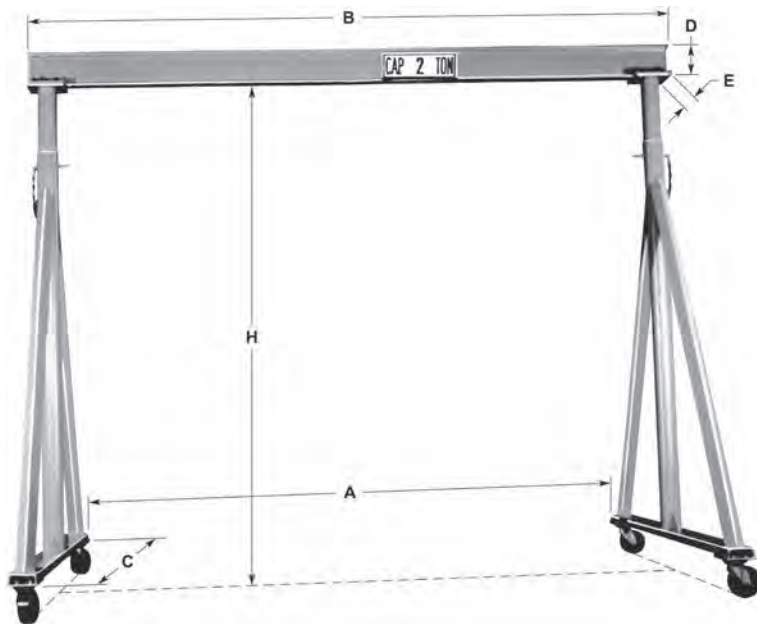
Rated Capacity	Height Under Beam H	Nominal Span (ft.)	Inside Span A	Overall Length B	Support Width C	Beam Height D (in.)	Flange Width E (in.)	Caster Diameter (in.)	Weight (lbs.)	Part Number
2-Ton	10'	10	10'-4"	11'-6"	5'-6"	8	4.00	8	949	H90-2-10/10
		12	12'-4"	13'-6"	5'-6"	8	4.00	8	986	H90-2-10/12
		14	14'-4"	15'-6"	5'-6"	10	4.66	8	1131	H90-2-10/14
		16	16'-4"	17'-6"	5'-6"	10	4.66	8	1182	H90-2-10/16
	12'	10	10'-4"	11'-6"	6'-6"	8	4.00	8	1041	H90-2-12/10
		12	12'-4"	13'-6"	6'-6"	8	4.00	8	1078	H90-2-12/12
		14	14'-4"	15'-6"	6'-6"	10	4.66	8	1223	H90-2-12/14
		16	16'-4"	17'-6"	6'-6"	10	4.66	8	1274	H90-2-12/16
	14'	10	10'-4"	11'-6"	7'-6"	8	4.00	8	1101	H90-2-14/10
		12	12'-4"	13'-6"	7'-6"	8	4.00	8	1138	H90-2-14/12
		14	14'-4"	15'-6"	7'-6"	10	4.66	8	1283	H90-2-14/14
		16	16'-4"	17'-6"	7'-6"	10	4.66	8	1334	H90-2-14/16
	16'	10	10'-4"	11'-6"	7'-6"	8	4.00	8	1205	H90-2-16/10
		12	12'-4"	13'-6"	7'-6"	8	4.00	8	1242	H90-2-16/12
		14	14'-4"	15'-6"	7'-6"	10	4.66	8	1387	H90-2-16/14
		16	16'-4"	17'-6"	7'-6"	10	4.66	8	1438	H90-2-16/16
3-Ton	10'	10	9'-3"	11'-6"	5'-6"	10	4.66	8	1107	H90-3-10/10
		12	11'-3"	13'-6"	5'-6"	10	4.66	8	1157	H90-3-10/12
		14	13'-3"	15'-6"	5'-6"	10	4.66	8	1208	H90-3-10/14
		16	15'-3"	17'-6"	5'-6"	12	5.00	8	1427	H90-3-10/16
	12'	10	9'-3"	11'-6"	6'-6"	10	4.66	8	1229	H90-3-12/10
		12	11'-3"	13'-6"	6'-6"	10	4.66	8	1279	H90-3-12/12
		14	13'-3"	15'-6"	6'-6"	10	4.66	8	1330	H90-3-12/14
		16	15'-3"	17'-6"	6'-6"	12	5.00	8	1529	H90-3-12/16
	14'	10	9'-3"	11'-6"	7'-6"	10	4.66	8	1350	H90-3-14/10
		12	11'-3"	13'-6"	7'-6"	10	4.66	8	1400	H90-3-14/12
		14	13'-3"	15'-6"	7'-6"	10	4.66	8	1451	H90-3-14/14
		16	15'-3"	17'-6"	7'-6"	12	5.00	8	1670	H90-3-14/16
	16'	10	9'-3"	11'-6"	7'-6"	10	4.66	8	1473	H90-3-16/10
		12	11'-3"	13'-6"	7'-6"	10	4.66	8	1523	H90-3-16/12
		14	13'-3"	15'-6"	7'-6"	10	4.66	8	1574	H90-3-16/14
		16	15'-3"	17'-6"	7'-6"	12	5.00	8	1793	H90-3-16/16



FIXED HEIGHT STEEL (H90) (continued)

Rated Capacity	Height Under Beam H	Nominal Span (ft.)	Inside Span A	Overall Length B	Support Width C	Beam Height D (in.)	Flange Width E (in.)	Caster Diameter (in.)	Weight (lbs.)	Part Number
4-Ton	10'	10	9'-3"	11'-6"	5'-6"	10	5.5	8	1217	H90-4-10/10
		12	11'-3"	13'-6"	5'-6"	12	5.5	8	1877	H90-4-10/12
		14	13'-3"	15'-6"	5'-6"	12	5.5	8	1357	H90-4-10/14
		16	15'-3"	17'-6"	5'-6"	15	5.5	8	1812	H90-4-10/16
	12'	10	9'-3"	11'-6"	6'-6"	10	5.5	8	1339	H90-4-12/10
		12	11'-3"	13'-6"	6'-6"	12	5.5	8	1409	H90-4-12/12
		14	13'-3"	15'-6"	6'-6"	12	5.5	8	1479	H90-4-12/14
		16	15'-3"	17'-6"	6'-6"	15	5.5	8	1934	H90-4-12/16
	14'	10	9'-3"	11'-6"	7'-6"	10	5.5	8	1460	H90-4-14/10
		12	11'-3"	13'-6"	7'-6"	12	5.5	8	1530	H90-4-14/12
		14	13'-3"	15'-6"	7'-6"	12	5.5	8	1600	H90-4-14/14
		16	15'-3"	17'-6"	7'-6"	15	5.5	8	2055	H90-4-14/16
	16'	10	9'-3"	11'-6"	7'-6"	10	5.5	8	1583	H90-4-16/10
		12	11'-3"	13'-6"	7'-6"	12	5.5	8	1653	H90-4-16/12
		14	13'-3"	15'-6"	7'-6"	12	5.5	8	1723	H90-4-16/14
		16	15'-3"	17'-6"	7'-6"	15	5.5	8	2178	H90-4-16/16
5-Ton	10'	10	9'-3"	11'-6"	5'-6"	12	5.0	8	1397	H90-5-10/10
		12	11'-3"	13'-6"	5'-6"	12	5.0	8	1467	H90-5-10/12
		14	13'-3"	15'-6"	5'-6"	15	5.5	8	1537	H90-5-10/14
		16	15'-3"	17'-6"	5'-6"	15	5.5	8	1992	H90-5-10/16
	12'	10	9'-3"	11'-6"	6'-6"	12	5.0	8	1519	H90-5-12/10
		12	11'-3"	13'-6"	6'-6"	12	5.0	8	1589	H90-5-12/12
		14	13'-3"	15'-6"	6'-6"	15	5.5	8	1659	H90-5-12/14
		16	15'-3"	17'-6"	6'-6"	15	5.5	8	2114	H90-5-12/16
	14'	10	9'-3"	11'-6"	7'-6"	12	5.0	8	1640	H90-5-14/10
		12	11'-3"	13'-6"	7'-6"	12	5.0	8	1710	H90-5-14/12
		14	13'-3"	15'-6"	7'-6"	15	5.5	8	1780	H90-5-14/14
		16	15'-3"	17'-6"	7'-6"	15	5.5	8	2235	H90-5-14/16
	16'	10	9'-3"	11'-6"	7'-6"	12	5.0	8	1763	H90-5-16/10
		12	11'-3"	13'-6"	7'-6"	12	5.0	8	1833	H90-5-16/12
		14	13'-3"	15'-6"	7'-6"	15	5.5	8	1903	H90-5-16/14
		16	15'-3"	17'-6"	7'-6"	15	5.5	8	2358	H90-5-16/16

ADJUSTABLE HEIGHT STEEL (K90)

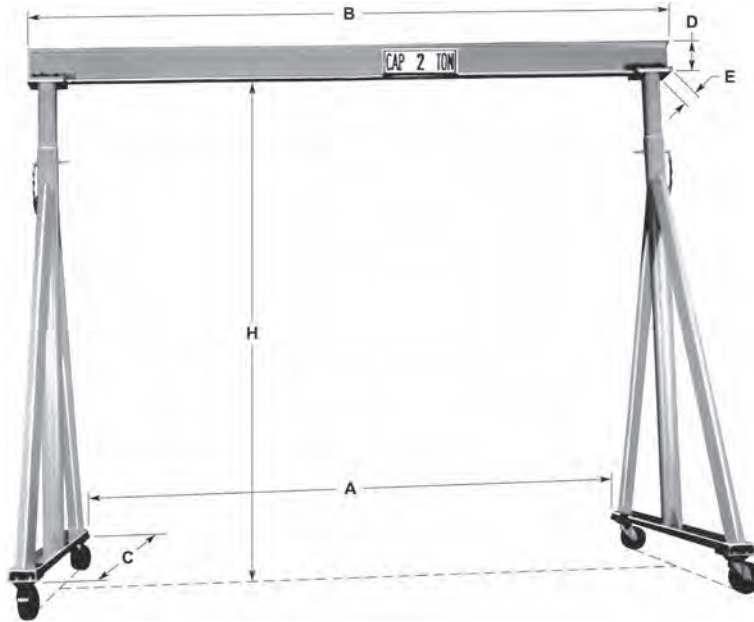


Features

- Balanced design allows for easy rolling, even under load.
- Simple bolt together construction.
- Includes four steel swivel casters.
- Easy set-up and maintenance.
- Height adjustable down from maximum in one foot increments.
- Adjustable span standard.

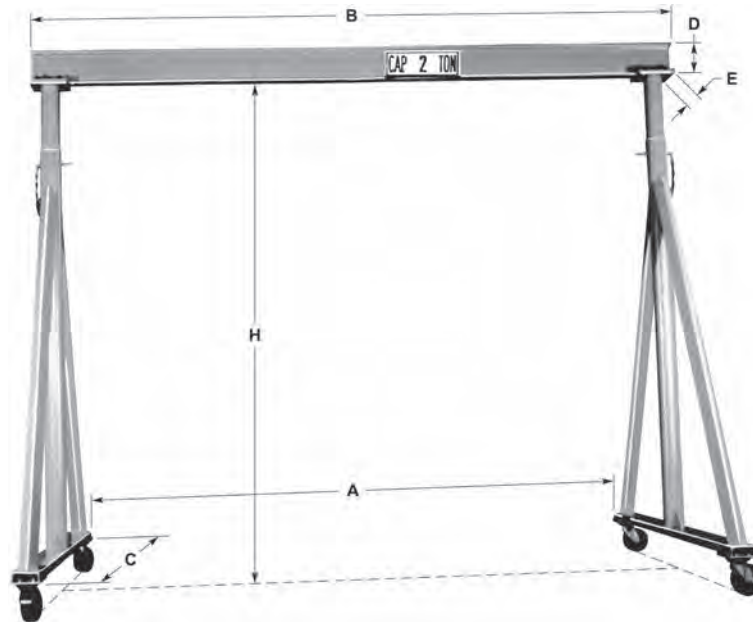
Rated Capacity	Max. Height Under Beam H	Nominal Span (ft.)	Inside Span A	Overall Length B	Support Width C	Beam Height D (in.)	Flange Width E (in.)	Caster Diameter (in.)	Min. Height Under Beam H (ft.)	Weight (lbs.)	Part Number
1-Ton	7'	10	10'-5"	11'-6"	4'-0"	6	3.33	6	5'-0"	550	K90-1-7/10
		12	12'-5"	13'-6"	4'-0"	8	4.00	6	5'-0"	650	K90-1-7/12
		14	14'-5"	15'-6"	4'-0"	8	4.00	6	5'-0"	675	K90-1-7/14
		16	16'-5"	17'-6"	4'-0"	10	4.70	6	5'-0"	850	K90-1-7/16
	9'	10	10'-5"	11'-6"	5'-0"	6	3.33	6	6'-0"	625	K90-1-9/10
		12	12'-5"	13'-6"	5'-0"	8	4.00	6	6'-0"	725	K90-1-9/12
		14	14'-5"	15'-6"	5'-0"	8	4.00	6	6'-0"	750	K90-1-9/14
		16	16'-5"	17'-6"	5'-0"	10	4.70	6	6'-0"	925	K90-1-9/16
	10'	10	10'-5"	11'-6"	5'-6"	6	3.33	6	7'-0"	650	K90-1-10/10
		12	12'-5"	13'-6"	5'-6"	8	4.00	6	7'-0"	750	K90-1-10/12
		14	14'-5"	15'-6"	5'-6"	8	4.00	6	7'-0"	800	K90-1-10/14
		16	16'-5"	17'-6"	5'-6"	10	4.70	6	7'-0"	950	K90-1-10/16
	12'	10	10'-5"	11'-6"	6'-6"	6	3.33	6	8'-0"	750	K90-1-12/10
		12	12'-5"	13'-6"	6'-6"	8	4.00	6	8'-0"	850	K90-1-12/12
		14	14'-5"	15'-6"	6'-6"	8	4.00	6	8'-0"	900	K90-1-12/14
		16	16'-5"	17'-6"	6'-6"	10	4.70	6	8'-0"	1050	K90-1-12/16
	14'	10	10'-5"	11'-6"	7'-6"	6	3.33	6	9'-0"	800	K90-1-14/10
		12	12'-5"	13'-6"	7'-6"	8	4.00	6	9'-0"	900	K90-1-14/12
		14	14'-5"	15'-6"	7'-6"	8	4.00	6	9'-0"	950	K90-1-14/14
		16	16'-5"	17'-6"	7'-6"	10	4.70	6	9'-0"	1100	K90-1-14/16
	16'	10	10'-5"	11'-6"	7'-6"	6	3.33	6	10'-0"	850	K90-1-16/10
		12	12'-5"	13'-6"	7'-6"	8	4.00	6	10'-0"	950	K90-1-16/12
		14	14'-5"	15'-6"	7'-6"	8	4.00	6	10'-0"	1000	K90-1-16/14
		16	16'-5"	17'-6"	7'-6"	10	4.70	6	10'-0"	1150	K90-1-16/16

ADJUSTABLE HEIGHT STEEL (K90) (continued)



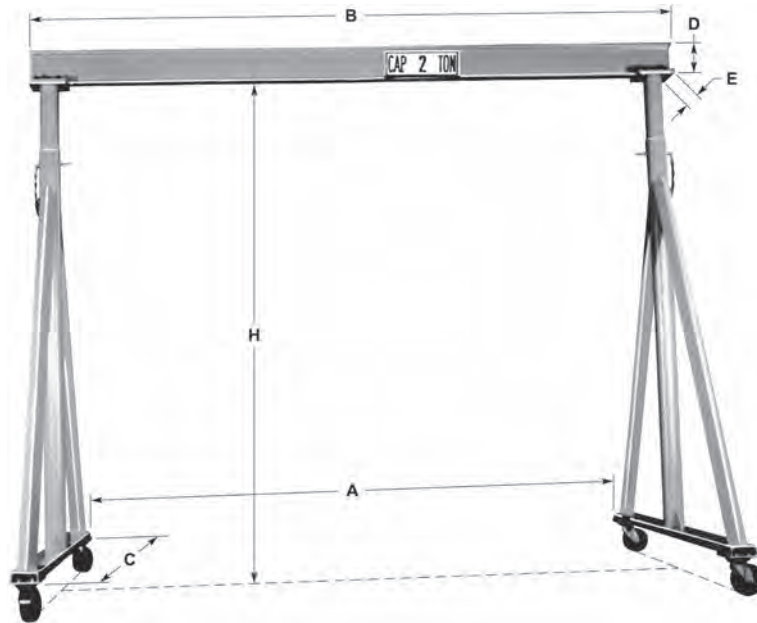
Rated Capacity	Max. Height Under Beam H	Nominal Span (ft.)	Inside Span A	Overall Length B	Support Width C	Beam Height D (in.)	Flange Width E (in.)	Caster Diameter (in.)	Min. Height Under Beam H (ft.)	Weight (lbs.)	Part Number
2-Ton	7'	10	10'-5"	11'-6"	4'-0"	8	4.00	8	5'-2"	675	K90-2-7/10
		12	12'-5"	13'-6"	4'-0"	8	4.00	8	5'-2"	700	K90-2-7/12
		14	14'-5"	15'-6"	4'-0"	10	4.70	8	5'-2"	850	K90-2-7/14
		16	16'-5"	17'-6"	4'-0"	10	4.70	8	5'-2"	900	K90-2-7/16
	9'	10	10'-5"	11'-6"	5'-0"	8	4.00	8	6'-2"	750	K90-2-9/10
		12	12'-5"	13'-6"	5'-0"	8	4.00	8	6'-2"	800	K90-2-9/12
		14	14'-5"	15'-6"	5'-0"	10	4.70	8	6'-2"	925	K90-2-9/14
		16	16'-5"	17'-6"	5'-0"	10	4.70	8	6'-2"	975	K90-2-9/16
	10'	10	10'-5"	11'-6"	5'-6"	8	4.00	8	7'-2"	775	K90-2-10/10
		12	12'-5"	13'-6"	5'-6"	8	4.00	8	7'-2"	825	K90-2-10/12
		14	14'-5"	15'-6"	5'-6"	10	4.70	8	7'-2"	975	K90-2-10/14
		16	16'-5"	17'-6"	5'-6"	10	4.70	8	7'-2"	1025	K90-2-10/16
	12'	10	10'-5"	11'-6"	6'-6"	8	4.00	8	8'-2"	875	K90-2-12/10
		12	12'-5"	13'-6"	6'-6"	8	4.00	8	8'-2"	900	K90-2-12/12
		14	14'-5"	15'-6"	6'-6"	10	4.70	8	8'-2"	1050	K90-2-12/14
		16	16'-5"	17'-6"	6'-6"	10	4.70	8	8'-2"	1100	K90-2-12/16
	14'	10	10'-5"	11'-6"	7'-6"	8	4.00	8	9'-2"	950	K90-2-14/10
		12	12'-5"	13'-6"	7'-6"	8	4.00	8	9'-2"	975	K90-2-14/12
		14	14'-5"	15'-6"	7'-6"	10	4.70	8	9'-2"	1125	K90-2-14/14
		16	16'-5"	17'-6"	7'-6"	10	4.70	8	9'-2"	1175	K90-2-14/16
16'	10	10'-5"	11'-6"	7'-6"	8	4.00	8	10'-2"	1000	K90-2-16/10	
	12	12'-5"	13'-6"	7'-6"	8	4.00	8	10'-2"	1025	K90-2-16/12	
	14	14'-5"	15'-6"	7'-6"	10	4.70	8	10'-2"	1175	K90-2-16/14	
	16	16'-5"	17'-6"	7'-6"	10	4.70	8	10'-2"	1225	K90-2-16/16	

ADJUSTABLE HEIGHT STEEL (K90) (continued)



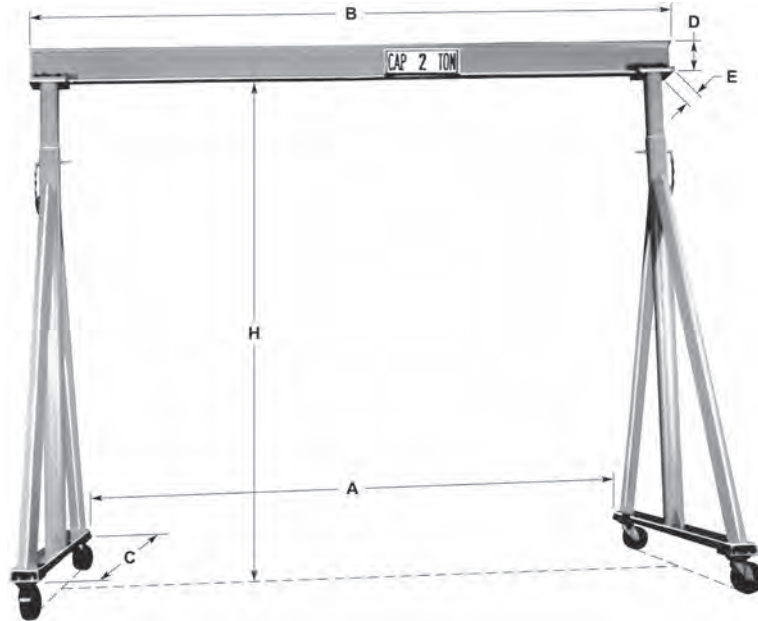
Rated Capacity	Max. Height Under Beam H	Nominal Span (ft.)	Inside Span A	Overall Length B	Support Width C	Beam Height D (in.)	Flange Width E (in.)	Caster Diameter (in.)	Min. Height Under Beam H (ft.)	Weight (lbs.)	Part Number
3-Ton	7'	10	9'-5"	11'-6"	4'-0"	10	4.70	8	5'-0"	1000	K90-3-7/10
		12	11'-5"	13'-6"	4'-0"	10	4.70	8	5'-0"	1050	K90-3-7/12
		14	13'-5"	15'-6"	4'-0"	10	4.70	8	5'-0"	1100	K90-3-7/14
		16	15'-5"	17'-6"	4'-0"	12	5.00	8	5'-0"	1250	K90-3-7/16
	9'	10	9'-5"	11'-6"	5'-0"	10	4.70	8	6'-0"	1100	K90-3-9/10
		12	11'-5"	13'-6"	5'-0"	10	4.70	8	6'-0"	1175	K90-3-9/12
		14	13'-5"	15'-6"	5'-0"	10	4.70	8	6'-0"	1225	K90-3-9/14
		16	15'-5"	17'-6"	5'-0"	12	5.00	8	6'-0"	1375	K90-3-9/16
	10'	10	9'-5"	11'-6"	5'-6"	10	4.70	8	7'-0"	1175	K90-3-10/10
		12	11'-5"	13'-6"	5'-6"	10	4.70	8	7'-0"	1200	K90-3-10/12
		14	13'-5"	15'-6"	5'-6"	10	4.70	8	7'-0"	1275	K90-3-10/14
		16	15'-5"	17'-6"	5'-6"	12	5.00	8	7'-0"	1425	K90-3-10/16
	12'	10	9'-5"	11'-6"	6'-6"	10	4.70	8	8'-0"	1300	K90-3-12/10
		12	11'-5"	13'-6"	6'-6"	10	4.70	8	8'-0"	1375	K90-3-12/12
		14	13'-5"	15'-6"	6'-6"	10	4.70	8	8'-0"	1400	K90-3-12/14
		16	15'-5"	17'-6"	6'-6"	12	5.00	8	8'-0"	1575	K90-3-12/16
	14'	10	9'-5"	11'-6"	7'-6"	10	4.70	8	9'-0"	1400	K90-3-14/10
		12	11'-5"	13'-6"	7'-6"	10	4.70	8	9'-0"	1475	K90-3-14/12
		14	13'-5"	15'-6"	7'-6"	10	4.70	8	9'-0"	1525	K90-3-14/14
		16	15'-5"	17'-6"	7'-6"	12	5.00	8	9'-0"	1675	K90-3-14/16
	16'	10	9'-5"	11'-6"	7'-6"	10	4.70	8	10'-0"	1500	K90-3-16/10
		12	11'-5"	13'-6"	7'-6"	10	4.70	8	10'-0"	1550	K90-3-16/12
		14	13'-5"	15'-6"	7'-6"	10	4.70	8	10'-0"	1600	K90-3-16/14
		16	15'-5"	17'-6"	7'-6"	12	5.00	8	10'-0"	1750	K90-3-16/16

ADJUSTABLE HEIGHT STEEL (K90) (continued)



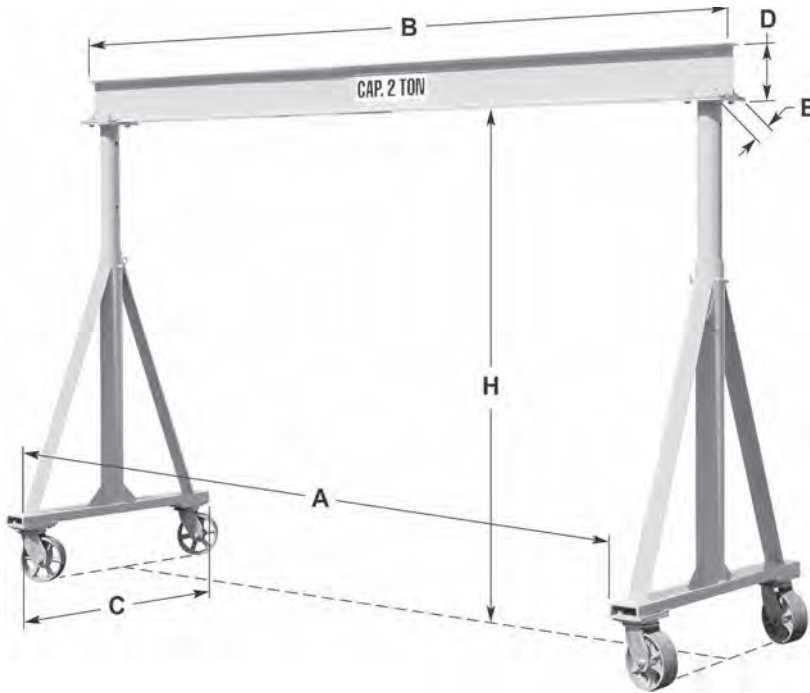
Rated Capacity	Max. Height Under Beam H	Nominal Span (ft.)	Inside Span A	Overall Length B	Support Width C	Beam Height D (in.)	Flange Width E (in.)	Caster Diameter (in.)	Min. Height Under Beam H (ft.)	Weight (lbs.)	Part Number
4-Ton	7'	10	9'-5"	11'-6"	4'-0"	10	4.70	8	5'-0"	975	K90-4-7/10
		12	11'-5"	13'-6"	4'-0"	12	5.00	8	5'-0"	1125	K90-4-7/12
		14	13'-5"	15'-6"	4'-0"	12	5.00	8	5'-0"	1200	K90-4-7/14
		16	15'-5"	17'-6"	4'-0"	15	5.50	8	5'-0"	1450	K90-4-7/16
	9'	10	9'-5"	11'-6"	5'-0"	10	4.70	8	6'-0"	1125	K90-4-9/10
		12	11'-5"	13'-6"	5'-0"	12	5.00	8	6'-0"	1250	K90-4-9/12
		14	13'-5"	15'-6"	5'-0"	12	5.00	8	6'-0"	1325	K90-4-9/14
		16	15'-5"	17'-6"	5'-0"	15	5.50	8	6'-0"	1575	K90-4-9/16
	10'	10	9'-5"	11'-6"	5'-6"	10	4.70	8	7'-0"	1175	K90-4-10/10
		12	11'-5"	13'-6"	5'-6"	12	5.00	8	7'-0"	1300	K90-4-10/12
		14	13'-5"	15'-6"	5'-6"	12	5.00	8	7'-0"	1375	K90-4-10/14
		16	15'-5"	17'-6"	5'-6"	15	5.50	8	7'-0"	1625	K90-4-10/16
	12'	10	9'-5"	11'-6"	6'-6"	10	4.70	8	8'-0"	1325	K90-4-12/10
		12	11'-5"	13'-6"	6'-6"	12	5.00	8	8'-0"	1450	K90-4-12/12
		14	13'-5"	15'-6"	6'-6"	12	5.00	8	8'-0"	1525	K90-4-12/14
		16	15'-5"	17'-6"	6'-6"	15	5.50	8	8'-0"	1775	K90-4-12/16
	14'	10	9'-5"	11'-6"	7'-6"	10	4.70	8	9'-0"	1425	K90-4-14/10
		12	11'-5"	13'-6"	7'-6"	12	5.00	8	9'-0"	1550	K90-4-14/12
		14	13'-5"	15'-6"	7'-6"	12	5.00	8	9'-0"	1625	K90-4-14/14
		16	15'-5"	17'-6"	7'-6"	15	5.50	8	9'-0"	1875	K90-4-14/16
	16'	10	9'-5"	11'-6"	7'-6"	10	4.70	8	10'-0"	1500	K90-4-16/10
		12	11'-5"	13'-6"	7'-6"	12	5.00	8	10'-0"	1625	K90-4-16/12
		14	13'-5"	15'-6"	7'-6"	12	5.00	8	10'-0"	1700	K90-4-16/14
		16	15'-5"	17'-6"	7'-6"	15	5.50	8	10'-0"	1975	K90-4-16/16

ADJUSTABLE HEIGHT STEEL (K90) (continued)



Rated Capacity	Max. Height Under Beam H	Nominal Span (ft.)	Inside Span A	Overall Length B	Support Width C	Beam Height D (in.)	Flange Width E (in.)	Caster Diameter (in.)	Min. Height Under Beam H (ft.)	Weight (lbs.)	Part Number
5-Ton	7'	10	9'-5"	11'-6"	4'-0"	12	5.00	8	5'-1"	1175	K90-5-7/10
		12	11'-5"	13'-6"	4'-0"	12	5.00	8	5'-1"	1225	K90-5-7/12
		14	13'-5"	15'-6"	4'-0"	15	5.50	8	5'-1"	1475	K90-5-7/14
		16	15'-5"	17'-6"	4'-0"	15	5.50	8	5'-1"	1550	K90-5-7/16
	9'	10	9'-5"	11'-6"	5'-0"	12	5.00	8	6'-1"	1325	K90-5-9/10
		12	11'-5"	13'-6"	5'-0"	12	5.00	8	6'-1"	1375	K90-5-9/12
		14	13'-5"	15'-6"	5'-0"	15	5.50	8	6'-1"	1625	K90-5-9/14
		16	15'-5"	17'-6"	5'-0"	15	5.50	8	6'-1"	1700	K90-5-9/16
	10'	10	9'-5"	11'-6"	5'-6"	12	5.00	8	7'-1"	1375	K90-5-10/10
		12	11'-5"	13'-6"	5'-6"	12	5.00	8	7'-1"	1425	K90-5-10/12
		14	13'-5"	15'-6"	5'-6"	15	5.50	8	7'-1"	1675	K90-5-10/14
		16	15'-5"	17'-6"	5'-6"	15	5.50	8	7'-1"	1750	K90-5-10/16
	12'	10	9'-5"	11'-6"	6'-6"	12	5.00	8	8'-1"	1550	K90-5-12/10
		12	11'-5"	13'-6"	6'-6"	12	5.00	8	8'-1"	1600	K90-5-12/12
		14	13'-5"	15'-6"	6'-6"	15	5.50	8	8'-1"	1825	K90-5-12/14
		16	15'-5"	17'-6"	6'-6"	15	5.50	8	8'-1"	1925	K90-5-12/16
	14'	10	9'-5"	11'-6"	7'-6"	12	5.00	8	9'-1"	1650	K90-5-14/10
		12	11'-5"	13'-6"	7'-6"	12	5.00	8	9'-1"	1725	K90-5-14/12
		14	13'-5"	15'-6"	7'-6"	15	5.50	8	9'-1"	1950	K90-5-14/14
		16	15'-5"	17'-6"	7'-6"	15	5.50	8	9'-1"	2050	K90-5-14/16
16'	10	9'-5"	11'-6"	7'-6"	12	5.00	8	10'-1"	1725	K90-5-16/10	
	12	11'-5"	13'-6"	7'-6"	12	5.00	8	10'-1"	1800	K90-5-16/12	
	14	13'-5"	15'-6"	7'-6"	15	5.50	8	10'-1"	2025	K90-5-16/14	
	16	15'-5"	17'-6"	7'-6"	15	5.50	8	10'-1"	2125	K90-5-16/16	

FIXED ALUMINUM (HA90)

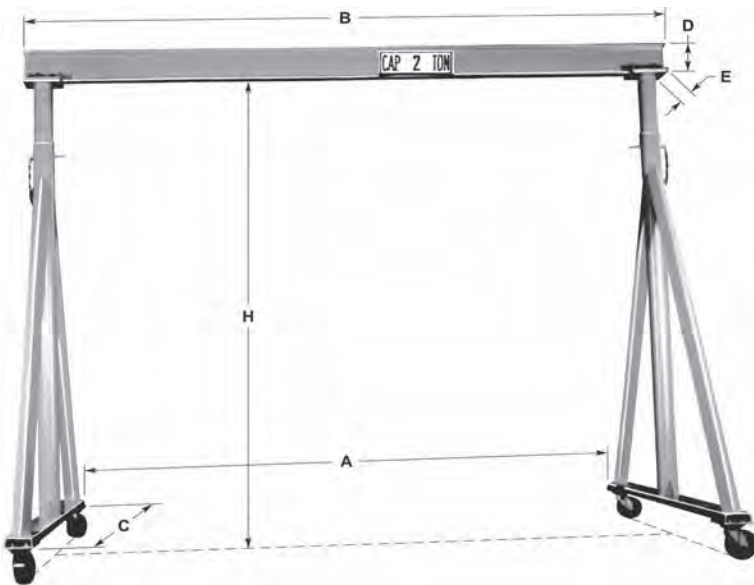


Features

- Lightweight aluminum construction.
- Balanced design allows for easy rolling under load.
- Simple bolt together construction.
- Includes four poly coated swivel casters.
- Easy setup and maintenance.

Rated Capacity	Max. Height Under Beam H	Nominal Span (ft.)	Inside Span A	Overall Length B	Support Width C	Beam Height D (in.)	Flange Width E (in.)	Caster Diameter (in.)	Weight lbs.)	Part Number
1-Ton	7'-6"	6	6'-10"	8'-4"	4'	6	3.33	6	212	HA90-1-7/6
		9	9'-0"	10'-6"	4'	8	4.00	6	238	HA90-1-7/9
		11	11'-0"	12'-6"	4'	8	4.00	6	251	HA90-1-7/11
	9'-2"	6	6'-10"	8'-4"	5'	6	3.33	6	234	HA90-1-9/6
		9	9'-0"	10'-6"	5'	8	4.00	6	260	HA90-1-9/9
		11	11'-0"	12'-6"	5'	8	4.00	6	273	HA90-1-9/11
	10'-10"	6	6'-10"	8'-4"	6'	6	3.33	6	258	HA90-1-10/6
		9	9'-0"	10'-6"	6'	8	4.00	6	284	HA90-1-10/9
		11	11'-0"	12'-6"	6'	8	4.00	6	297	HA90-1-10/11
2-Ton	7'-6"	6	6'-4"	8'-4"	4'	8	4.00	8	351	HA90-2-7/6
		8	8'-6"	10'-6"	4'	10	4.66	8	408	HA90-2-7/8
		10	10'-6"	12'-6"	4'	10	4.66	8	429	HA90-2-7/10
	9'-2"	6	6'-4"	8'-4"	5'	8	4.00	8	371	HA90-2-9/6
		8	8'-6"	10'-6"	5'	10	4.66	8	428	HA90-2-9/8
		10	10'-6"	12'-6"	5'	10	4.66	8	449	HA90-2-9/10
	10'-10"	6	6'-4"	8'-4"	6'	8	4.00	8	401	HA90-2-10/6
		8	8'-6"	10'-6"	6'	10	4.66	8	458	HA90-2-10/8
		10	10'-6"	12'-6"	6'	10	4.66	8	479	HA90-2-10/10

ADJUSTABLE ALUMINUM (KA90)



Features

- Lightweight aluminum construction.
- Balanced design allows for easy rolling under load.
- Simple bolt together construction.
- Includes four poly coated swivel casters.
- Easy setup and maintenance.
- Height adjustable in 6" increments.

Rated Capacity	Min/Max Height Under Beam H	Nominal Span (ft.)	Inside Span A	Overall Length B	Support Width C	Beam Height D (in.)	Flange Width E (in.)	Caster Diameter (in.)	Weight (lbs.)	Part Number
1-Ton	5'-6" min. 7'-6" max.	6	6'-7"	8'-4"	4'-0"	6	3.44	6	350	KA90-1-7/6
		8	8'-9"	10'-6"	4'-0"	8	4.00	6	375	KA90-1-7/8
		10	10'-9"	12'-6"	4'-0"	8	4.00	6	390	KA90-1-7/10
	6'-2" min. 9'-2" max.	6	6'-7"	8'-4"	5'-0"	6	3.44	6	360	KA90-1-9/6
		8	8'-9"	10'-6"	5'-0"	8	4.00	6	385	KA90-1-9/8
		10	10'-9"	12'-6"	5'-0"	8	4.00	6	400	KA90-1-9/10
	7'-10" min. 10'-10" max.	6	6'-7"	8'-4"	6'-0"	6	3.44	6	385	KA90-1-10/6
		8	8'-9"	10'-6"	6'-0"	8	4.00	6	410	KA90-1-10/8
		10	10'-9"	12'-6"	6'-0"	8	4.00	6	425	KA90-1-10/10
	9'-6" min. 12'-6" max.	6	6'-7"	8'-4"	6'-6"	6	3.44	6	415	KA90-1-12/6
		8	8'-9"	10'-6"	6'-6"	8	4.00	6	440	KA90-1-12/8
		10	10'-9"	12'-6"	6'-6"	8	4.00	6	455	KA90-1-12/10
2-Ton	5'-6" min. 7'-6" max.	6	6'-0"	8'-4"	4'-0"	8	4.00	8	460	KA90-2-7/6
		8	8'-2"	10'-6"	4'-0"	10	4.66	8	500	KA90-2-7/8
		10	10'-6"	12'-6"	4'-0"	10	4.66	8	525	KA90-2-7/10
	6'-2" min. 9'-2" max.	6	6'-0"	8'-4"	5'-0"	8	4.00	8	485	KA90-2-9/6
		8	8'-2"	10'-6"	5'-0"	10	4.66	8	525	KA90-2-9/8
		10	10'-6"	12'-6"	5'-0"	10	4.66	8	550	KA90-2-9/10
	7'-10" min. 10'-10" max.	6	6'-0"	8'-4"	6'-0"	8	4.00	8	520	KA90-2-10/6
		8	8'-2"	10'-6"	6'-0"	10	4.66	8	560	KA90-2-10/8
		10	10'-6"	12'-6"	6'-0"	10	4.66	8	585	KA90-2-10/10
	9'-6" min. 12'-6" max.	6	6'-0"	8'-2"	6'-6"	8	4.00	8	530	KA90-2-12/6
		8	8'-2"	10'-6"	6'-6"	10	4.66	8	570	KA90-2-12/8
		10	10'-6"	12'-6"	6'-6"	10	4.66	8	595	KA90-2-12/10