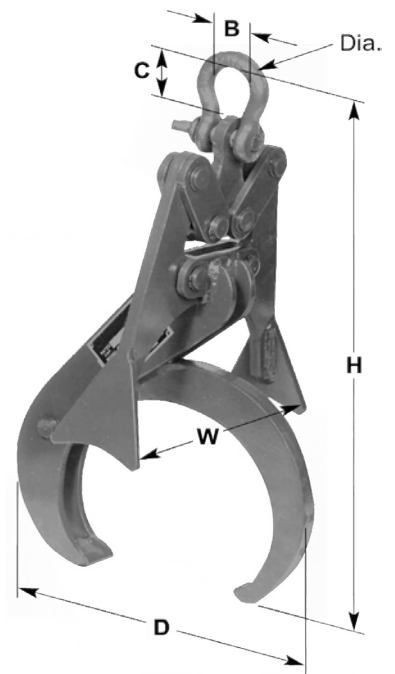


## PIPE GRAB (C OR S)

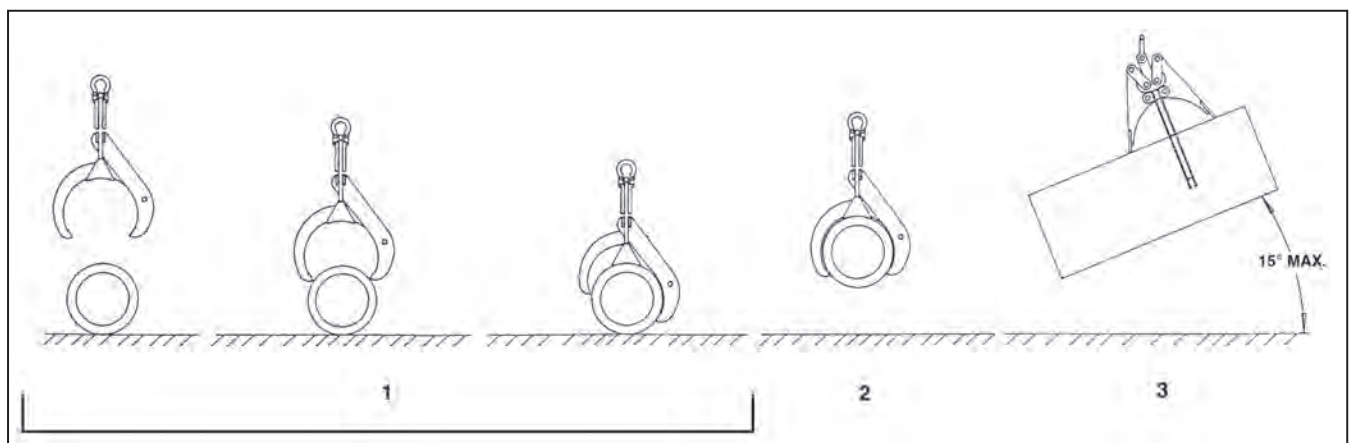
(For Cast Iron or Steel Pipe only)



### Features

- Automatically clamps to pipe when lowered onto it.
- Movable outriggers stabilize the pipe during lift.
- No blocking required.
- Quick and efficient handling of properly balanced pipe.

| Rated Capacity (lbs.) | Cast Iron   |               | Steel       |               | Height H (in.) | Width W (in.) | Depth D (in.) | Shackle Dimensions (in.)<br>Dia. • B • C | Weight (lbs.) |
|-----------------------|-------------|---------------|-------------|---------------|----------------|---------------|---------------|--|---------------|
|                       | Part Number | Pipe OD (in.) | Part Number | Pipe OD (in.) |                |               |               |  |               |
| 450                   | <b>C3</b>   | 4.00          | <b>S3</b>   | 3.50          | 10             | 5             | 6             | 0.38 • 1.03 • 1.44                       | 7             |
| 600                   | <b>C4</b>   | 4.80          | <b>S4</b>   | 4.50          | 14             | 8             | 7             | 0.44 • 1.16 • 1.69                       | 9             |
| 1000                  | <b>C6</b>   | 6.90          | <b>S6</b>   | 6.63          | 17             | 11            | 11            | 0.50 • 1.31 • 1.88                       | 15            |
| 1400                  | <b>C8</b>   | 9.05          | <b>S8</b>   | 8.63          | 22             | 13            | 14            | 0.50 • 1.31 • 1.88                       | 25            |



#### Operation:

1. Lower grab onto approximate center of pipe. Grab will open and seat on pipe.
2. Lift slowly to check for pipe balance. Never exceed a 15° angle.
3. If angle exceeds 15°, lower pipe and reposition grab.

## PIPE TONGS (PTL)

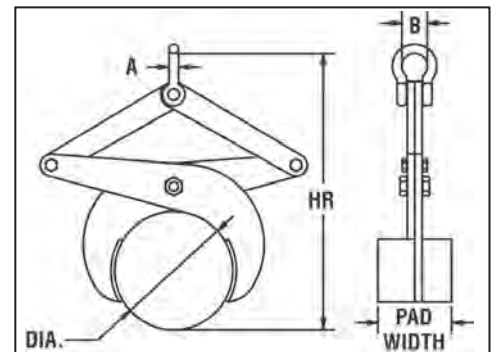
For Vertical Lifting Only (not Suspension)



### Features

- Pipe Tongs are made of sturdy construction to handle pipe, round bars, castings, etc.
- Tongs are provided with bare steel curved gripping arms.
- Optional replaceable urethane pads available to protect smooth or polished surfaces.
- May be used in pairs with a lifting beam for added stability.

| FIXED DIAMETER        |             |            |                        |         |         |               |
|-----------------------|-------------|------------|------------------------|---------|---------|---------------|
| Rated Capacity (lbs.) | Part Number | Dia. (in.) | Headroom Minimum (in.) | A (in.) | B (in.) | Weight (lbs.) |
| 1000                  | PTLF5       | 5          | 15.50                  | 0.50    | 1.31    | 17            |
| 2000                  | PTLF8       | 8          | 23.50                  | 0.50    | 1.31    | 25            |



| ADJUSTABLE DIAMETER   |             |                                  |                                    |                                   |                 |         |         |               |
|-----------------------|-------------|----------------------------------|------------------------------------|-----------------------------------|-----------------|---------|---------|---------------|
| Rated Capacity (lbs.) | Part Number | Bare Steel Range Min / Max (in.) | Urethane Pad Range Min / Max (in.) | HR Headroom Range Min / Max (in.) | Pad Width (in.) | A (in.) | B (in.) | Weight (lbs.) |
| 1000                  | PTLA4       | 2.00 / 4.00                      | 1.25 - 3.25                        | 11.21 - 15.15                     | 2.50            | 0.50    | 1.31    | 8             |
| 2000                  | PTLA8       | 4.00 / 8.00                      | 3.25 - 7.25                        | 19.18 - 26.49                     | 5.00            | 0.50    | 1.31    | 29            |
| 2000                  | PTLA12      | 7.00 / 12.00                     | 6.25 - 11.25                       | 25.95 - 35.81                     | 6.00            | 0.50    | 1.31    | 49            |
| 2000                  | PTLA15      | 10.00 / 15.00                    | 9.25 - 14.25                       | 30.03 - 38.67                     | 6.00            | 0.50    | 1.31    | 77            |



### **⚠ WARNING**

Decreasing the load by bumping or substantial imbalance can, under certain circumstances, loosen the grip. Do not use in diameters other than those specified on nameplate.