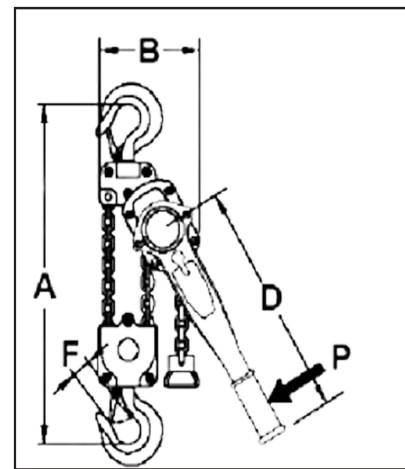
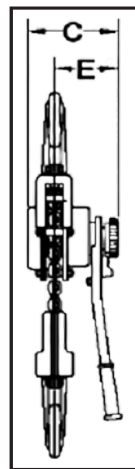


LEVER CHAIN HOIST (LCH)

Lever Chain Hoists are highly versatile tools that can be used to pull, lift, drag or stretch. All Lever Chain Hoists use alloy steel chain for long life, and forged steel swivel hooks with latches for safety.

Part Number	Lift	WLL (Metric Ton)
LCH008X5	5'	3/4
LCH008X10	10'	
LCH008X20	20'	
LCH015X5	5'	1.5
LCH015X10	10'	
LCH015X20	20'	
LCH030X5	5'	3
LCH030X10	10'	
LCH030X20	20'	
LCH060X5	5'	6
LCH060X10	10'	
LCH060X20	20'	

- Easy one hand operation and setup.
- Operates in any orientation.
- Non-slip rubber grip lever and 360° rotation require minimal space for operation with 20 to 30% less pull force than other brands.
- Powder-coated and plated finishes resist corrosion.
- Fully enclosed gearing to protect from contamination.
- The automatic Weston style mechanical load brake will react to the inertia of a descending load.
- Drop forged alloy hooks are designed to stretch before chain failure when overloaded and are equipped with cast steel safety latches.
- The top hook articulates to aid in rigging and helps ensure straight line loading between hooks.



Part Number	Dimensions (in.)						P (lbs.)	Weight per foot (lbs.)	Weight (lbs.) A=5-ft.
	A	B	C	D	E	F			
LCH008	12.6	5.3	5.8	11.4	3.5	0.94	31	0.54	17
LCH015	15.0	6.4	6.9	16.5	4.0	1.14	54	0.92	26
LCH030	18.9	8.3	7.7	16.5	4.3	1.42	72	1.48	46
LCH060	24.4	10.0	7.7	16.5	4.3	1.81	76	2.96	70

Meets ASME B30, OSHA 1915.114, and NASA-STD-8719.9

*

WARNING

- Do not exceed working load limit (load rating capacity).
- Do not lift loads over people.
- Do not use to lift people.
- Use only alloy chain for overhead lifting.
- Read and follow all instructions.

General Information

Web Slings

Round Slings

Slings Protection

Wire Rope

Chain Slings

Rigging Hardware

Mesh Slings

Load Huggers

Tow Products

Lift-All Hoists

Hoist Rings

Plate Clamps

Lifting Devices